

OLGMC ST. MARTIN CLINIC

210 CHAMPAGNE BLVD.

BREAUX BRIDGE, LA 70571

SHOP DRAWING PACKAGE

**GLAZING
CONTRACTOR**

999 STREET, ST
CITY, STATE 99999
PH: 999.999.9999

GLAZING SCHEDULE

GL-1(T)	1/4" GUARDIAN SUNGUARD SNX 6227 CLEAR LOW-E - OUTBOARD 1/2" AIRSPACE (MILL SPACER) 19/32" CLEAR LAMINATED GLASS - INBOARD COATING: SNX 6227 *TEMPERED AS REQUIRED BY CODE
SPAN	1/4" GUARDIAN SUNGUARD SNX 6227 CLEAR LOW-E - OUTBOARD 1/2" AIRSPACE (MILL SPACER) 19/32" CLEAR LAMINATED W/ 1/4" WARM GRAY CERAMIC FRIT SPAN - INBOARD COATING: SNX 6227
GL-2	9/16" CLEAR LAMINATED GLASS COATING: NONE
GL-3	1/4" CLEAR TEMPERED GLASS COATING: NONE
GL-4	LEAD LINED GLASS PLEASE PROVIDE MAKEUP COATING: NONE

SYSTEM NOTES

SYSTEMS TYPES

SYSTEM #1: OLD CASTLE FG5750T SERIES STORE FRONT(2 1/2" X 5")
SYSTEM #2: CRL SLIDER D2307
ENTRANCES: OLD CASTLE WSD-500 STORM MAX WIDE STILE

METAL FINISHES

CLASS 1 CLEAR ANODIZED

SEALANT TYPES

795

STRUCTURE BY OTHERS

THE BUILDING STRUCTURE AND COMPONENTS THEREOF MUST BE CAPABLE OF SAFELY CARRYING THE LOADS IMPOSED UPON IT BY THE SYSTEMS DETAILED, INCLUDING BUT NOT LIMITED TO DEAD LOADS OF THE SYSTEMS, WIND LOADINGS, THERMAL LOADINGS, SEISMIC LOADINGS, SNOW LOADINGS AND LIVE LOADINGS.

NOTES:

THESE SHOP DRAWINGS HAVE BEEN PREPARED BASED ON ARCHITECTURAL DRAWINGS: 100% CD 07.24.2024

SYMBOLS

<p>GL-1 - GLAZING IDENTIFICATION</p> <p>X / D2 - DETAIL IDENTIFICATION /PAGE NUMBER</p> <p>4 - COLUMN LINE</p> <p>1 / E1 - SECTION</p> <p>1 / E1 - VIEW</p> <p>HW SET: / #1 - SCHEDULED HARDWARE</p> <p>R.O. - ROUGH OPENING D.O. - DOOR OPENING D.L.O. - DAY LIGHT OPENING S.F.O. - STOREFRONT OPENING C.W.O. - CURTAINWALL OPENING G.S. - GLASS SIZE F.S. - FRAME SIZE W.P. - WORK POINT CL - CENTER LINE</p>	<p>WORK POINT</p> <p>1ST FLOOR / 100'-0" - ELEVATION BENCHMARK</p> <p>DL - DEAD LOAD ANCHOR</p> <p>WL - WIND LOAD ANCHOR</p> <p>1 - REVISION NUMBER CALL-OUT</p> <p>R1 - STEEL CALL-OUT</p> <p>N.T.S. - NOT TO SCALE F.F. - FINISH FLOOR V.I.F. - VERIFY IN FIELD DL - DEADLOAD WL - WINDLOAD E.O.G - EDGE OF GLASS T/O - TOP OF B/O - BOTTOM OF REF. - REFERENCE</p>
---	--

DRAWING NOTES

1. MP DRAFTING & DESIGN AND THE CUSTOMER WILL ASSUME NO RESPONSIBILITY FOR ERRORS RESULTING FROM THE USE OF THESE DRAWINGS BY OTHER TRADES.
 2. FINAL APPROVAL BY THE GENERAL CONTRACTOR CONSTITUTES ACCEPTANCE OF ALL DEVIATIONS TO THE CONTRACT DOCUMENTS MADE BY MP DRAFTING & DESIGN AND THE CUSTOMER IN THESE DRAWINGS.
 3. THESE DRAWINGS REPRESENT MP DRAFTING'S AND THE CUSTOMER'S INTERPRETATION OF THE APPLICATION OF PRODUCTS TO THIS PROJECT IN FUNCTIONAL COMPLIANCE WITH THE ARCHITECT'S DRAWINGS AND SPECIFICATION. IT IS IMPORTANT THAT THIS INTERPRETATION BE REVIEWED DIMENSIONALLY AND FUNCTIONALLY WITH RESPECT TO ACTUAL ARCHITECT'S INTENT, INTERFACING CONDITIONS, MATERIAL AND JOB SITE CONDITIONS.
 4. ALL DIMENSIONS SHALL BE FIELD VERIFIED AND/OR APPROVED BY THE GENERAL CONTRACTOR PRIOR TO GLASS ORDERING AND FABRICATION. MP DRAFTING & DESIGN AND THE CUSTOMER WILL ASSUME NO RESPONSIBILITY FOR DIMENSIONAL ERRORS OR CHANGES RESULTING FROM FIELD CORRECTIONS.
 5. PROJECT MATERIALS MUST BE PROTECTED IMMEDIATELY FROM STAINING BY WET CARDBOARD PAPER AND FROM THE ACTION OF HARSH ALKALIS AND SAND IN CONCRETE, STUCCO, MORTAR OR PLASTER. THE SETTING OF THE PROJECT MATERIALS REQUIRES THE GENERAL CONTRACTOR TO CLOSELY SUPERVISE OTHER TRADES SO AS TO PREVENT MARRING OR DISCOLORATION FROM ANY CAUSE.
 6. ALL SEALANT JOINTS SHOULD BE SEALED WATERTIGHT FOLLOWING THE SEALANT MANUFACTURER'S RECOMMENDATIONS AS TO SIZE, METHOD OF APPLICATION AND COMPATIBILITY WITH ADJOINING MATERIALS.
 7. ALL FRAMING SYSTEMS SHALL BE FABRICATED & INSTALLED PER THE MANUFACTURERS INSTRUCTIONS.
 8. THE ROUGH OPENINGS PROVIDED MUST BE SQUARE AND WITHIN SPECIFIED BUILDING TOLERANCES.
 9. PERIMETER SUBSTRATE MUST BE CAPABLE OF WITHSTANDING REACTION FORCES IMPOSED BY DESIGN LOADS.
 10. ALL FASTENING INFORMATION TO BE VERIFIED ON SITE BY CUSTOMER FOR VARIATION FROM SHOP DRAWINGS. ALL FASTENERS SHOWN FOR REFERENCE ONLY UNLESS SPECIFICALLY CALLED OUT BY PROFESSIONAL ENGINEER.
 11. LAWS AND BUILDING AND SAFETY CODES GOVERNING THE DESIGN AND USE OF GLAZING ENTRANCE, WINDOW AND CURTAIN WALL PRODUCTS VARY WIDELY. MP DRAFTING & DESIGN AND THE CUSTOMER DOES NOT CONTROL THESE SELECTION OF PRODUCT CONFIGURATIONS, OPERATING HARDWARE OR GLAZING MATERIALS AND ASSUMES NO RESPONSIBILITY.
 12. SEE CUSTOMER'S QUOTATION FOR ANY EXCLUDED ITEMS NOT NOTED WITHIN.
- PROPRIETARY NOTICE:**
THIS DRAWING SHEET AND CONTENTS HEREIN ARE PROPERTY OF MP DRAFTING & DESIGN AND ITS CUSTOMERS. USE OF THESE DRAWINGS, ITS CONTENT AND DESIGN CONCEPTS ARE INTENDED FOR THE USE OF THE INTENDED RECIPIENT. MP DRAFTING & DESIGN AND ITS CUSTOMERS ARE NOT RESPONSIBLE FOR USE BY OTHER PARTIES.

MP drafting
& design

www.MPDRAFTING.com
P: 248.522.7096
F: 248.522.7030

ARCHITECT:

WHLC ARCHITECTURE

1744 OAKDALE DR.
BATON ROUGE, LA 70810
PHONE# (225) 767-1530

ARCHITECT NOTE:
ALL NOTES REQUESTING VERIFICATION,
CONFIRMATION, OR INFORMATION THAT ARE
NOT ANSWERED ARE ASSUMED TO BE
CORRECT AS SHOWN ON THESE DRAWINGS.

**STAMPS/
SUBMITTALS:**

REVISION	DATE
0	10.30.24
1	02.17.25
-	-
-	-
-	-

PROJECT NUMBER:
24-379E

PROJECT NAME:
ST. MARTIN HOSPITAL

SHEET DESCRIPTION:
COVER SHEET

SHEET:
C1

ENGINEERING

P.E. STRUCTURAL REVIEW INCLUDED: YES NO

TYPICAL ENGINEERING NOTE:

ENGINEERING REVIEW (IF REQUIRED) WILL BE PROVIDED AFTER 1ST SUBMITTAL APPROVAL OF THESE SHOP DRAWINGS. ALL APPLICABLE INFORMATION BELOW, SYSTEM REVIEW, REINFORCEMENT, FASTENERS, LOADS, ETC. WILL BE PROVIDED AT THAT TIME.

ARCHITECT NOTE: PLEASE VERIFY ALL INFORMATION BELOW

DESIGN LOADS: (PER ----)	-
BASIC WINDSPEED:	-
IMPORTANCE FACTOR:	-
EXPOSURE CATEGORY:	-
BUILDING HEIGHT:	-
TYPICAL WINDLOAD:	-
CORNER WINDLOAD:	-
SNOW LOADS:	-
ALLOWABLE DEFLECTION:	- L/175 (SPAN < 13'-6"), L/240+1/4" (SPAN >= 13'-6")

SHEET INDEX

C1	COVER SHEET
P1	FLOOR PLANS
H1	HARDWARE SHEET
M1	MEASURE SHEET
E1 THRU E5	ELEVATIONS
D1 THRU D5	DETAILS

DIMENSION VERIFICATION

FIELD VERIFIED:
GUARANTEED DIMENSIONS:

REVISIONS

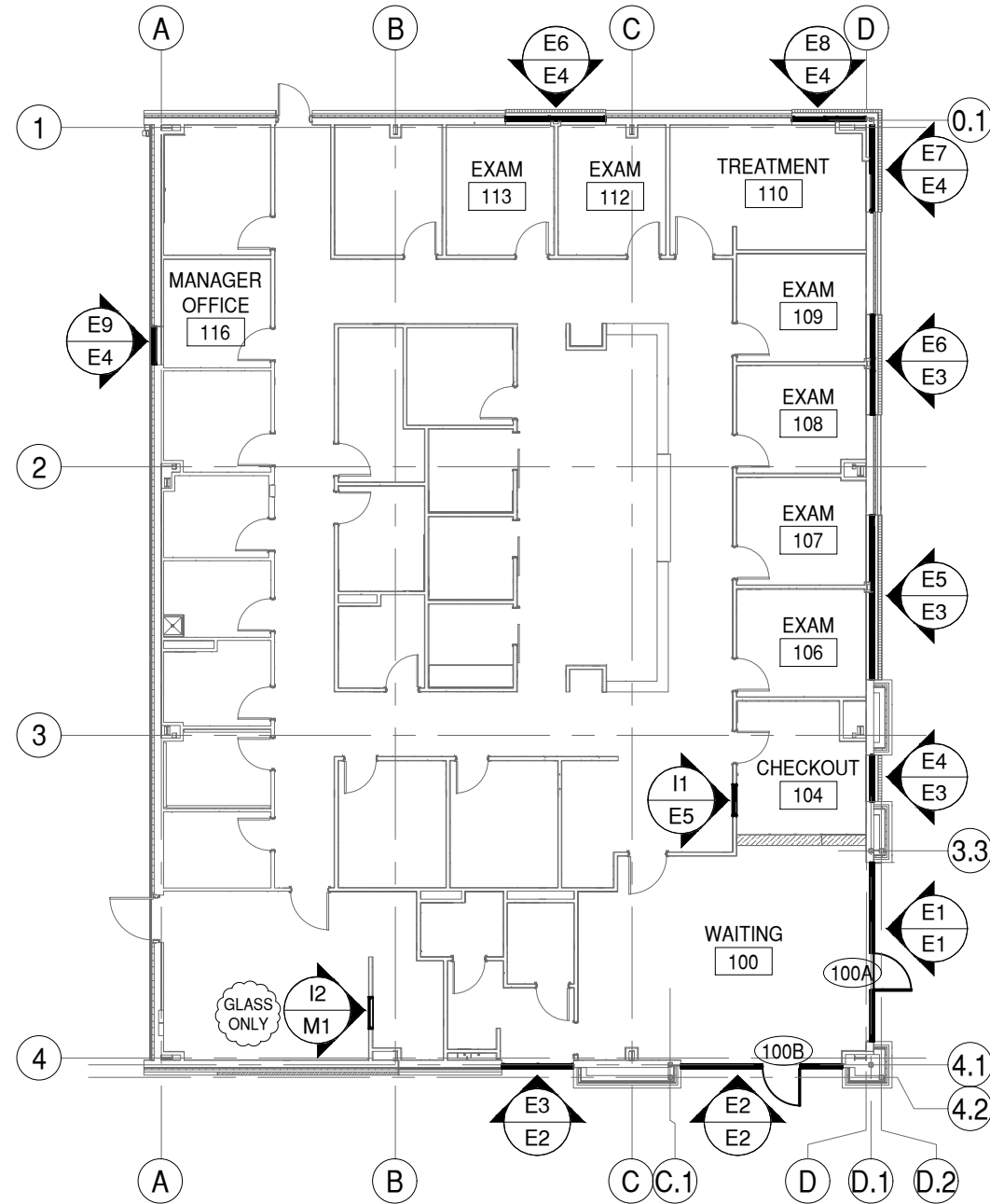
REV	DESCRIPTION	DATE	BY
0	1ST SUBMITTAL	10.30.24	JML
1	ENGINEERING REVISIONS	02.17.2025	SAH

NOTE SYMBOL KEY

 ARCHITECT NOTE	 ENGINEERING NOTE ENGINEER OF RECORD OR DELEGATED DESIGN
 GLAZING CONTRACTOR OR PROJECT MANAGER NOTE	 FABRICATOR OR INSTALLER NOTE

NOTE:
ALL DIMENSIONS TO BE FIELD
VERIFIED PRIOR TO FABRICATION

NOTE:
THESE PLANS VIEWS ARE FOR LOCATION REFERENCE
ONLY. WALLS AND STRUCTURES WITHIN THE IMMEDIATE
SURROUNDINGS OF THE SCOPE OF WORK HAVE BEEN
INCLUDED. OTHER WALLS AND STRUCTURES MAY NOT
BE INCLUDED. PLEASE REFER TO THE MOST CURRENT
SET OF ARCHITECTURAL PLANS FOR FULL PLAN VIEWS.



1 LEVEL 1 FLOOR PLAN
P1 DRAWING SCALE
24x36: 1:100
11x17: 1:200

ARCH. REF.
1/A2.0



GLAZING CONTRACTOR

999 STREET, ST
CITY, STATE 99999
PH: 999.999.9999



www.MPDRAFTING.com
P: 248.522.7096
F: 248.522.7030

ARCHITECT:

WHLC ARCHITECTURE
1744 OAKDALE DR.
BATON ROUGE, LA 70810
PHONE# (225) 767-1530

ARCHITECT NOTE:
ALL NOTES REQUESTING VERIFICATION,
CONFIRMATION, OR INFORMATION THAT ARE
NOT ANSWERED ARE ASSUMED TO BE
CORRECT AS SHOWN ON THESE DRAWINGS.

STAMPS/ SUBMITTALS:

REVISION	DATE
0	10.30.24
1	02.17.25
-	-
-	-
-	-

PROJECT NUMBER:
24-379E

PROJECT NAME:
ST. MARTIN HOSPITAL

SHEET DESCRIPTION:
PLAN VIEW

SHEET:
P1

GLAZING CONTRACTOR

999 STREET, ST
CITY, STATE 99999
PH: 999.999.9999



www.MPDRAFTING.com
P: 248.522.7096
F: 248.522.7030

ARCHITECT:

WHLC ARCHITECTURE
1744 OAKDALE DR.
BATON ROUGE, LA 70810
PHONE# (225) 767-1530

ARCHITECT NOTE:
ALL NOTES REQUESTING VERIFICATION,
CONFIRMATION, OR INFORMATION THAT ARE
NOT ANSWERED ARE ASSUMED TO BE
CORRECT AS SHOWN ON THESE DRAWINGS.

STAMPS/ SUBMITTALS:

REVISION	DATE
0	10.30.24
1	02.17.25
-	-
-	-
-	-

PROJECT NUMBER:
24-379E

PROJECT NAME:
ST. MARTIN HOSPITAL

SHEET DESCRIPTION:
ELEVATIONS

SHEET:
H1

HARDWARE SET #: 100A

DOOR/ELEVATION: 100A/E1				
DOOR SIZE: 3'-6" x 7'-0"				
	PART #	DESCRIPTION	PREP	INSTALL
SMC CLOSER PART	1280	SMC-100 CLOSER W/BC C		
SMC-100 DROP PLATE	1286	SMC-DP DROP PLATE C		
DOOR SWEEP	3345	D-118/D-120 WEATHERSTRIP 42IN. C		
ACTIVE LEAF PULL HANDLE	12368	PH21 STD PANIC PULL KIT CLR	X	
CUSTOM CVR PANIC ACTIVE	FL369242-CL	CUSTOM IMPACT PANIC (OBE)	X	X
SM ACT PANIC EXT TRIM	198	CY5 1 5/32 RIM CYLINDER C	X	X
BUTT HINGE PART		1		
SM BUTT HINGE PART	13959	REGENT 4001SS HINGE 4.5 C	X	X
SM THRESHOLD TYPE	TH57M	TH-57 THOLD W/ SPLINES M: 11/16" CLEARANCE W/ THRESHOLD		

NOTES: OBE STANDARD

HARDWARE SET #: 100B

DOOR/ELEVATION: 100B/E2				
DOOR SIZE: 3'-6" x 7'-0"				
	PART #	DESCRIPTION	PREP	INSTALL
SMC CLOSER PART	1280	SMC-100 CLOSER W/BC C		
SMC-100 DROP PLATE	1286	SMC-DP DROP PLATE C		
DOOR SWEEP	3345	D-118/D-120 WEATHERSTRIP 42IN. C		
ACTIVE LEAF PULL HANDLE	12368	PH21 STD PANIC PULL KIT CLR	X	
CUSTOM CVR PANIC ACTIVE	FL369242-CL	CUSTOM IMPACT PANIC (OBE)	X	X
SM ACT PANIC EXT TRIM	198	CY5 1 5/32 RIM CYLINDER C	X	X
BUTT HINGE PART		1		
SM BUTT HINGE PART	13959	REGENT 4001SS HINGE 4.5 C	X	X
SM THRESHOLD TYPE	TH57M	TH-57 THOLD W/ SPLINES M: 11/16" CLEARANCE W/ THRESHOLD		

NOTES: OBE STANDARD

MEASUREMENT WORKSHEET FOR DOORS AND FRAMES BY OTHERS

GLAZING
CONTRACTOR

999 STREET, ST
CITY, STATE 99999
PH: 999.999.9999

MP drafting
& design

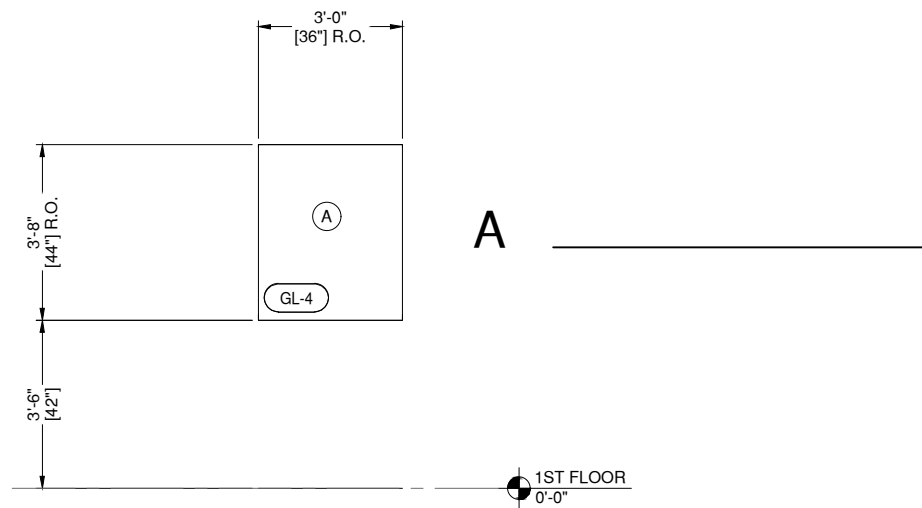
www.MPDRAFTING.com
P: 248.522.7096
F: 248.522.7030

ARCHITECT:

WHLC ARCHITECTURE
1744 OAKDALE DR.
BATON ROUGE, LA 70810
PHONE# (225) 767-1530

ARCHITECT NOTE:
ALL NOTES REQUESTING VERIFICATION,
CONFIRMATION, OR INFORMATION THAT ARE
NOT ANSWERED ARE ASSUMED TO BE
CORRECT AS SHOWN ON THESE DRAWINGS.

STAMPS/
SUBMITTALS:



I2 ELEVATION I2
M1 DRAWING SCALE
24x36: 1/2" = 1'-0"
11x17: 1/4" = 1'-0"

THUS REQ'D:	1
OPP REQ'D:	0
TOTAL REQ'D:	1

ARCH. REF.	I2/A9.0
------------	---------

REVISION	DATE
0	10.30.24
1	02.17.25
-	-
-	-
-	-

PROJECT NUMBER:
24-379E

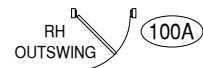
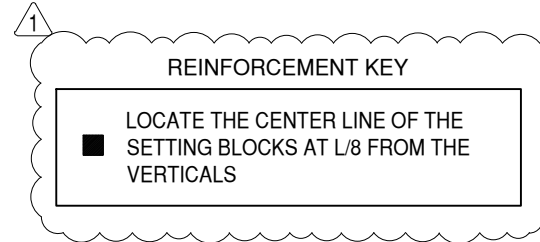
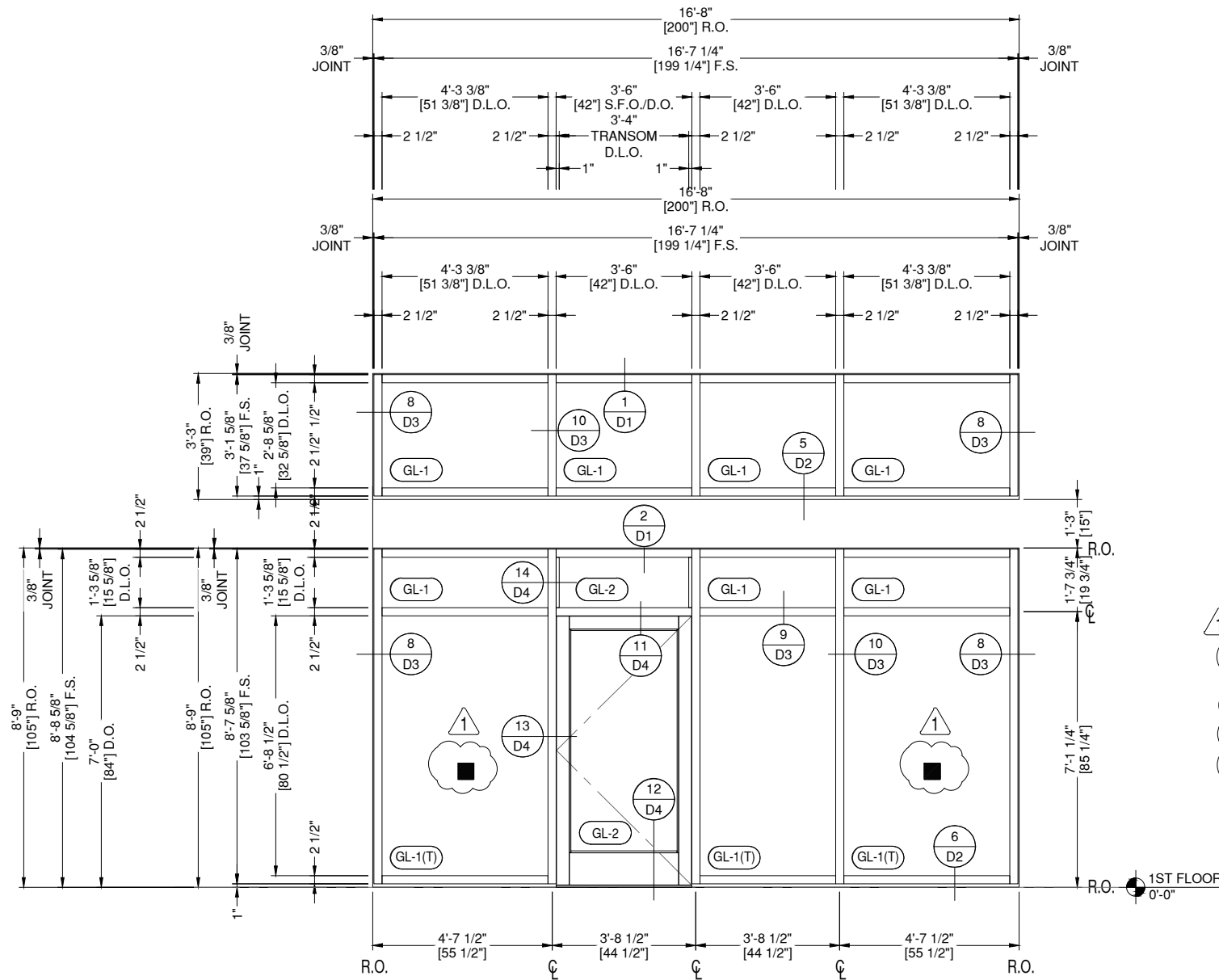
PROJECT NAME:
ST. MARTIN HOSPITAL

SHEET DESCRIPTION:
ELEVATIONS

SHEET:
M1

NOTE:
ALL DIMENSIONS TO BE FIELD
VERIFIED PRIOR TO FABRICATION

NOTE:
VERTICAL MULLIONS HAVE BEEN
ADJUSTED TO MATCH THE
SCHEDULED DOOR OPENING.
PLEASE VERIFY.



E1 ELEVATION E1
E1 DRAWING SCALE
24x36: 1/2" = 1'-0"
11x17: 1/4" = 1'-0"

THUS REQ'D: 1
OPP REQ'D: 0
TOTAL REQ'D: 1

ARCH. REF. E1/A9.0

HW SET: PANIC

OLD CASTLE FG 5750T SERIES STOREFRONT
FINISH: CLEAR ANODIZED
ENTRANCES: WSD-500 STORM MAX WIDE STILE

GLAZING CONTRACTOR

999 STREET, ST
CITY, STATE 99999
PH: 999.999.9999



www.MPDRAFTING.com
P: 248.522.7096
F: 248.522.7030

ARCHITECT:

WHLC ARCHITECTURE
1744 OAKDALE DR.
BATON ROUGE, LA 70810
PHONE# (225) 767-1530

ARCHITECT NOTE:
ALL NOTES REQUESTING VERIFICATION,
CONFIRMATION, OR INFORMATION THAT ARE
NOT ANSWERED ARE ASSUMED TO BE
CORRECT AS SHOWN ON THESE DRAWINGS.

STAMPS/ SUBMITTALS:

REVISION	DATE
0	10.30.24
1	02.17.25
-	-
-	-
-	-

PROJECT NUMBER:
24-379E

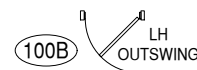
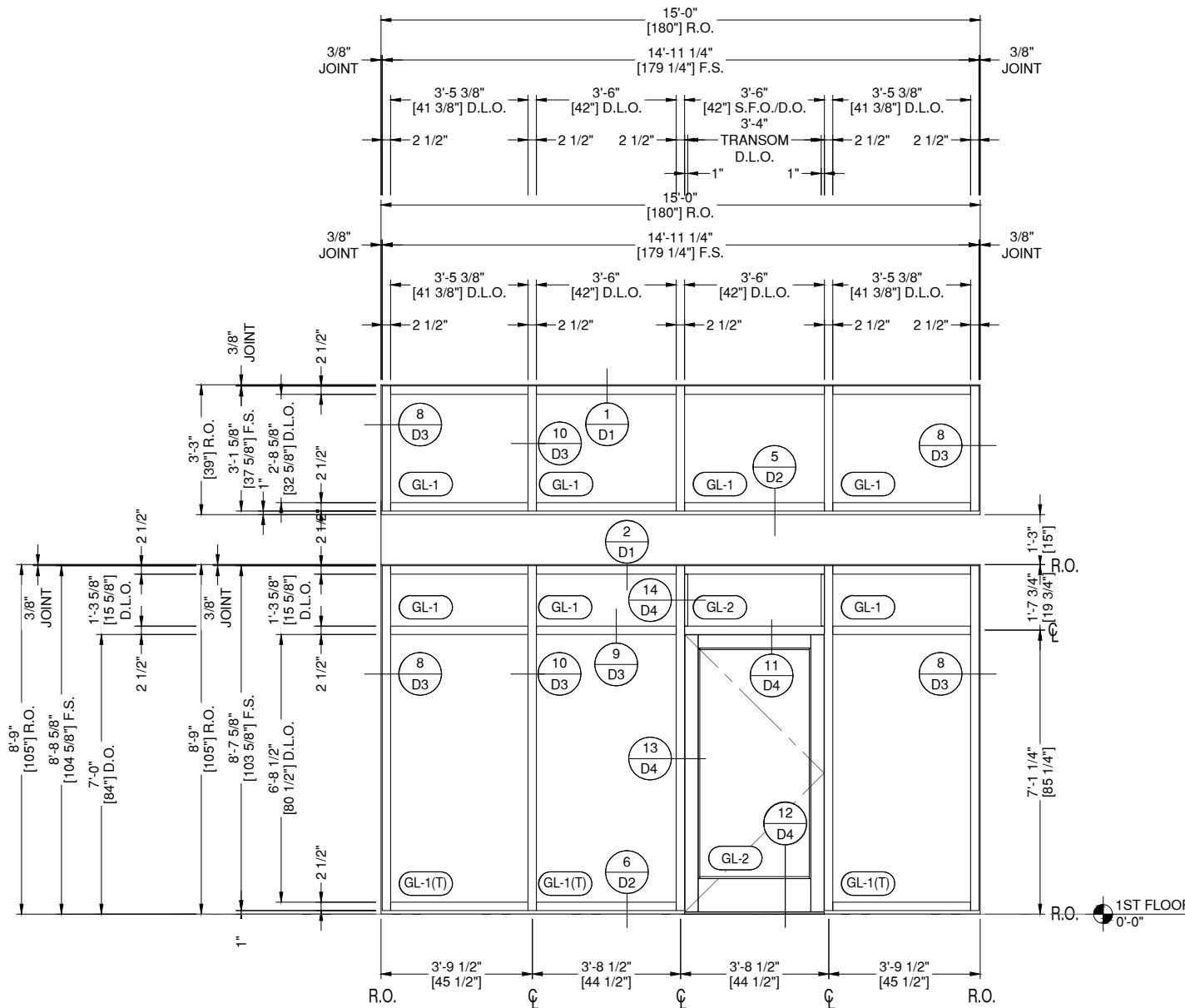
PROJECT NAME:
ST. MARTIN HOSPITAL

SHEET DESCRIPTION:
ELEVATIONS

SHEET:
E1

NOTE:
ALL DIMENSIONS TO BE FIELD
VERIFIED PRIOR TO FABRICATION

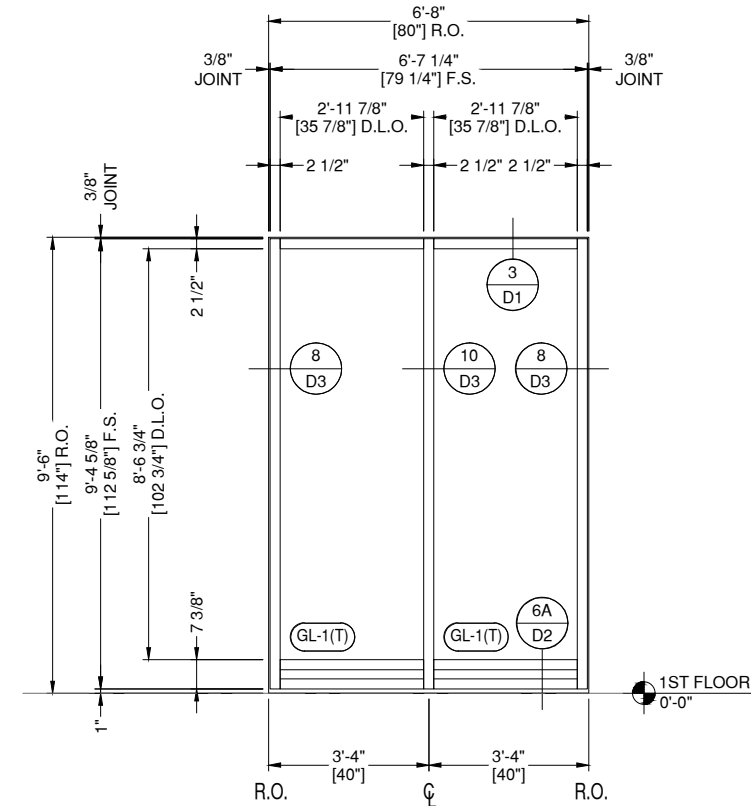
NOTE:
VERTICAL MULLIONS HAVE BEEN
ADJUSTED TO MATCH THE
SCHEDULED DOOR OPENING.
PLEASE VERIFY.



E2 ELEVATION E2
DRAWING SCALE
24x36: 1/2" = 1'-0"
11x17: 1/4" = 1'-0"

THUS REQ'D:	1	ARCH. REF.	E2/A9.0	HW SET:	PANIC
OPP REQ'D:	0				
TOTAL REQ'D:	1				

OLD CASTLE FG 5750T SERIES STOREFRONT
FINISH: CLEAR ANODIZED
ENTRANCES: WSD-500 STORM MAX WIDE STILE



E3 ELEVATION E3
DRAWING SCALE
24x36: 1/2" = 1'-0"
11x17: 1/4" = 1'-0"

THUS REQ'D:	1	ARCH. REF.	E3/A9.0
OPP REQ'D:	0		
TOTAL REQ'D:	1		

OLD CASTLE FG 5750T SERIES STOREFRONT
FINISH: CLEAR ANODIZED

GLAZING CONTRACTOR

999 STREET, ST
CITY, STATE 99999
PH: 999.999.9999



www.MPDRAFTING.com
P: 248.522.7096
F: 248.522.7030

ARCHITECT:

WHLC ARCHITECTURE
1744 OAKDALE DR.
BATON ROUGE, LA 70810
PHONE# (225) 767-1530

ARCHITECT NOTE:
ALL NOTES REQUESTING VERIFICATION,
CONFIRMATION, OR INFORMATION THAT ARE
NOT ANSWERED ARE ASSUMED TO BE
CORRECT AS SHOWN ON THESE DRAWINGS.

STAMPS/ SUBMITTALS:

REVISION	DATE
0	10.30.24
1	02.17.25
-	-
-	-

PROJECT NUMBER:
24-379E

PROJECT NAME:
ST. MARTIN HOSPITAL

SHEET DESCRIPTION:
ELEVATIONS

SHEET:
E2

NOTE:
ALL DIMENSIONS TO BE FIELD
VERIFIED PRIOR TO FABRICATION

GLAZING CONTRACTOR

999 STREET, ST
CITY, STATE 99999
PH: 999.999.9999



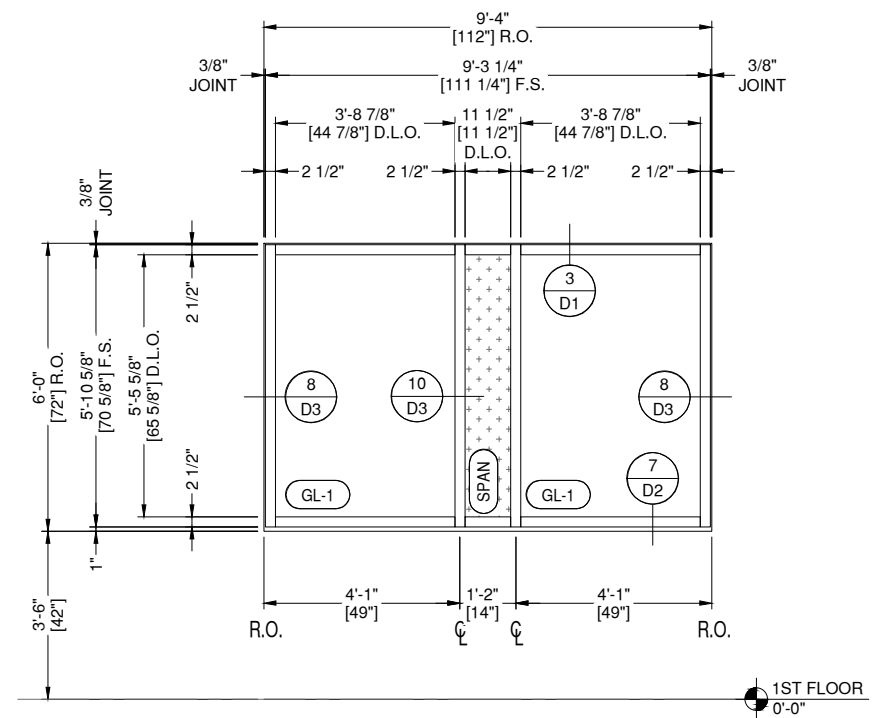
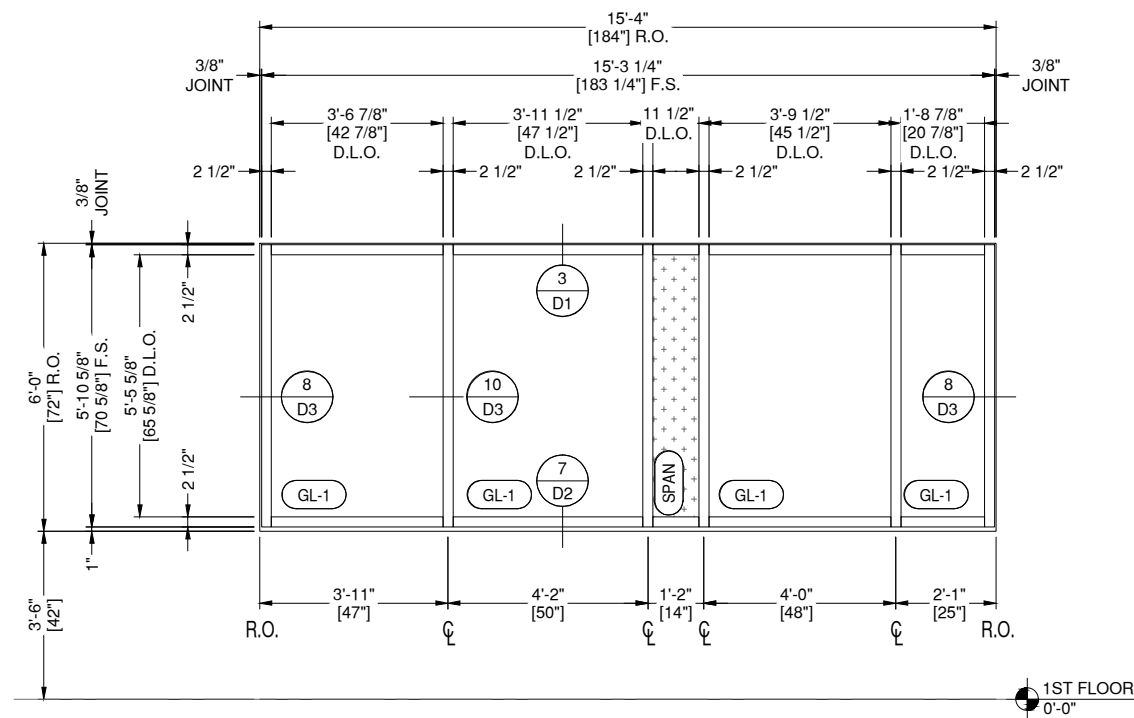
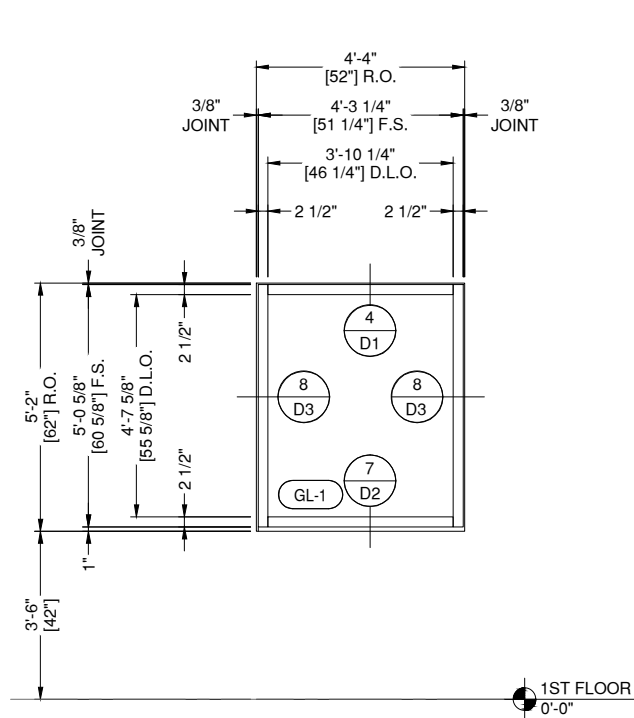
www.MPDRAFTING.com
P: 248.522.7096
F: 248.522.7030

ARCHITECT:

WHLC ARCHITECTURE
1744 OAKDALE DR.
BATON ROUGE, LA 70810
PHONE# (225) 767-1530

ARCHITECT NOTE:
ALL NOTES REQUESTING VERIFICATION,
CONFIRMATION, OR INFORMATION THAT ARE
NOT ANSWERED ARE ASSUMED TO BE
CORRECT AS SHOWN ON THESE DRAWINGS.

STAMPS/ SUBMITTALS:



E4 ELEVATION E4
E3 DRAWING SCALE
24x36: 1/2" = 1'-0"
11x17: 1/4" = 1'-0"

THUS REQ'D: 1
OPP REQ'D: 0
TOTAL REQ'D: 1
ARCH. REF.
E4/A9.0

OLD CASTLE FG 5750T SERIES STOREFRONT
FINISH: CLEAR ANODIZED

E5 ELEVATION E5
E3 DRAWING SCALE
24x36: 1/2" = 1'-0"
11x17: 1/4" = 1'-0"

THUS REQ'D: 1
OPP REQ'D: 0
TOTAL REQ'D: 1
ARCH. REF.
E5/A9.0

OLD CASTLE FG 5750T SERIES STOREFRONT
FINISH: CLEAR ANODIZED

E6 ELEVATION E6
E3 DRAWING SCALE
24x36: 1/2" = 1'-0"
11x17: 1/4" = 1'-0"

THUS REQ'D: 2
OPP REQ'D: 0
TOTAL REQ'D: 2
ARCH. REF.
E6/A9.0

OLD CASTLE FG 5750T SERIES STOREFRONT
FINISH: CLEAR ANODIZED

REVISION	DATE
0	10.30.24
1	02.17.25
-	-
-	-
-	-

PROJECT NUMBER:
24-379E

PROJECT NAME:
ST. MARTIN HOSPITAL

SHEET DESCRIPTION:
ELEVATIONS

SHEET:
E3

NOTE:
ALL DIMENSIONS TO BE FIELD
VERIFIED PRIOR TO FABRICATION

GLAZING CONTRACTOR

999 STREET, ST
CITY, STATE 99999
PH: 999.999.9999

MP drafting
& design

www.MPDRAFTING.com
P: 248.522.7096
F: 248.522.7030

ARCHITECT:

WHLC ARCHITECTURE
1744 OAKDALE DR.
BATON ROUGE, LA 70810
PHONE# (225) 767-1530

ARCHITECT NOTE:
ALL NOTES REQUESTING VERIFICATION,
CONFIRMATION, OR INFORMATION THAT ARE
NOT ANSWERED ARE ASSUMED TO BE
CORRECT AS SHOWN ON THESE DRAWINGS.

STAMPS/ SUBMITTALS:

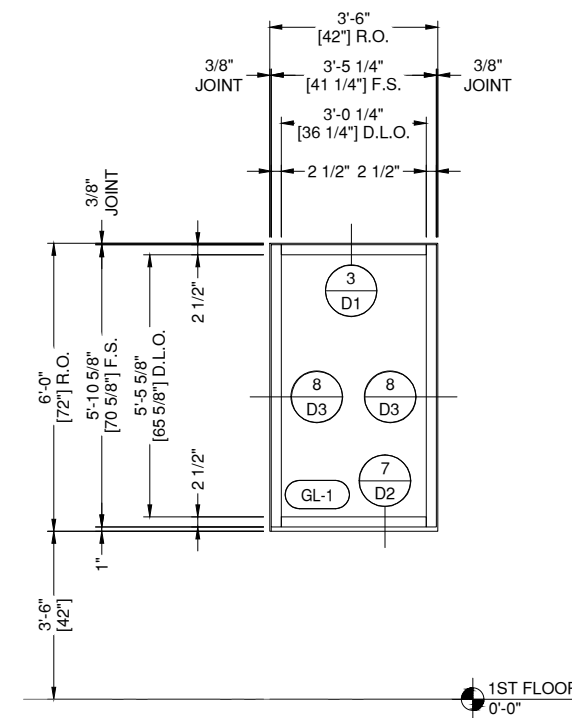
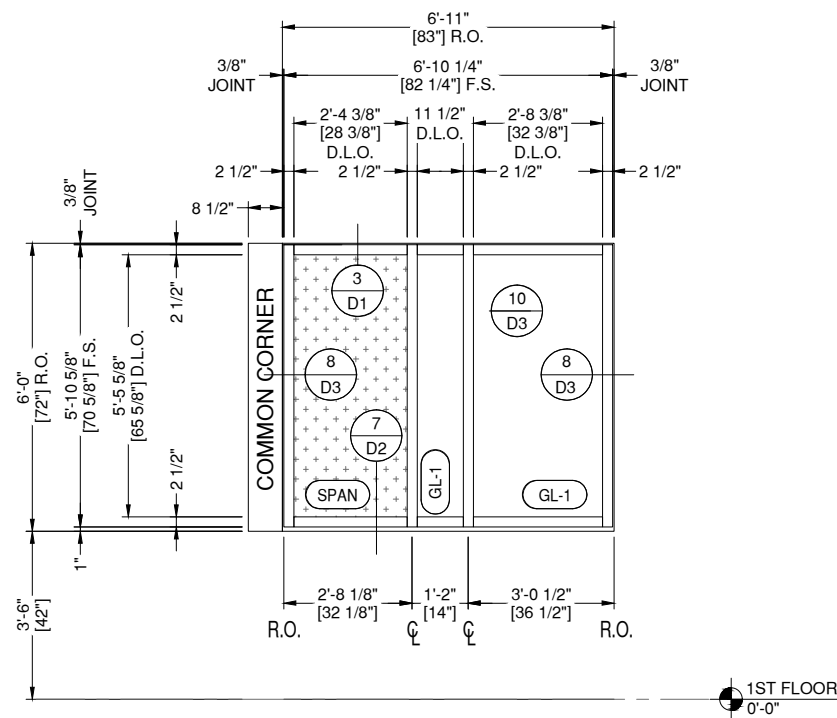
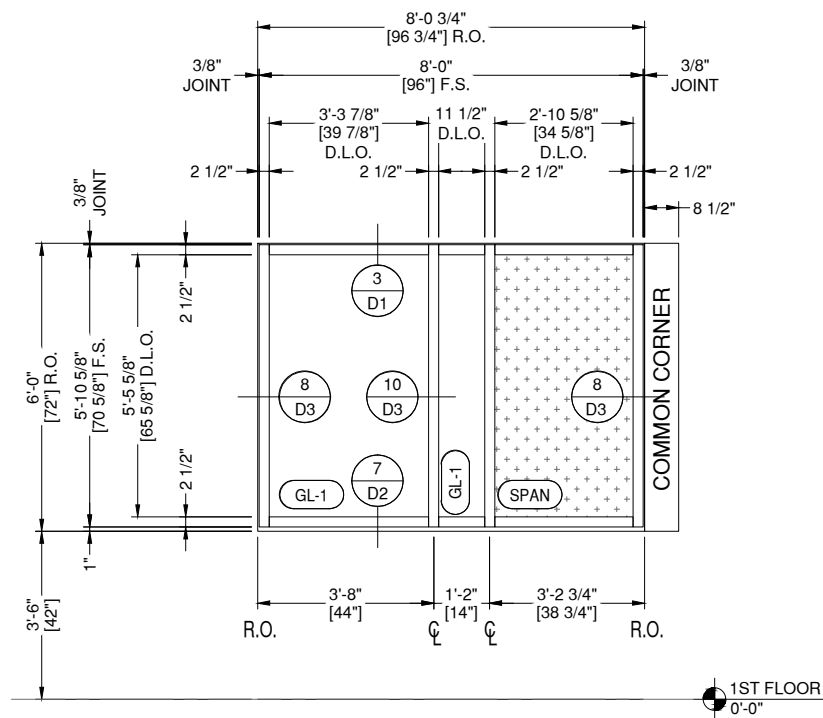
REVISION	DATE
0	10.30.24
1	02.17.25
-	-
-	-

PROJECT NUMBER:
24-379E

PROJECT NAME:
ST. MARTIN HOSPITAL

SHEET DESCRIPTION:
ELEVATIONS

SHEET:
E4



E7 ELEVATION E7
E4 DRAWING SCALE
24x36: 1/2" = 1'-0"
11x17: 1/4" = 1'-0"

THIS REQ'D: 1
OPP REQ'D: 0
TOTAL REQ'D: 1
ARCH. REF.
E7/A9.0
OLD CASTLE FG 5750T SERIES STOREFRONT
FINISH: CLEAR ANODIZED

E8 ELEVATION E8
E4 DRAWING SCALE
24x36: 1/2" = 1'-0"
11x17: 1/4" = 1'-0"

THIS REQ'D: 1
OPP REQ'D: 0
TOTAL REQ'D: 1
ARCH. REF.
E9/A9.0
OLD CASTLE FG 5750T SERIES STOREFRONT
FINISH: CLEAR ANODIZED

E9 ELEVATION E9
E4 DRAWING SCALE
24x36: 1/2" = 1'-0"
11x17: 1/4" = 1'-0"

THIS REQ'D: 1
OPP REQ'D: 0
TOTAL REQ'D: 1
ARCH. REF.
E9/A9.0
OLD CASTLE FG 5750T SERIES STOREFRONT
FINISH: CLEAR ANODIZED

NOTE:
ALL DIMENSIONS TO BE FIELD
VERIFIED PRIOR TO FABRICATION

GLAZING CONTRACTOR

999 STREET, ST
CITY, STATE 99999
PH: 999.999.9999



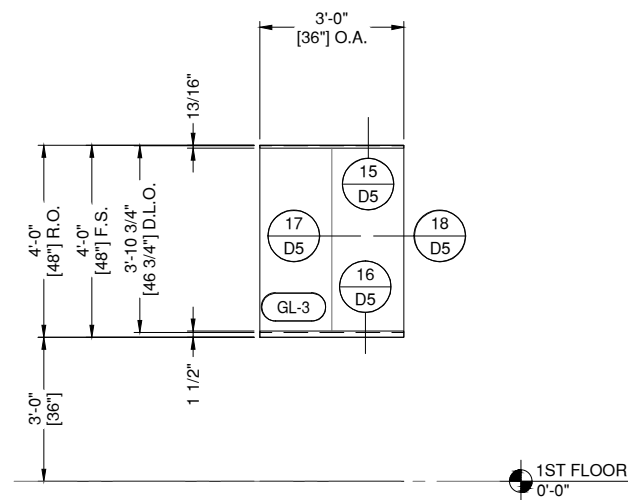
www.MPDRAFTING.com
P: 248.522.7096
F: 248.522.7030

ARCHITECT:

WHLC ARCHITECTURE
1744 OAKDALE DR.
BATON ROUGE, LA 70810
PHONE# (225) 767-1530

ARCHITECT NOTE:
ALL NOTES REQUESTING VERIFICATION,
CONFIRMATION, OR INFORMATION THAT ARE
NOT ANSWERED ARE ASSUMED TO BE
CORRECT AS SHOWN ON THESE DRAWINGS.

STAMPS/ SUBMITTALS:



I1 ELEVATION I1
E5 DRAWING SCALE
24x36: 1/2" = 1'-0"
11x17: 1/4" = 1'-0"

THUS REQ'D: 1
OPP REQ'D: 0
TOTAL REQ'D: 1

ARCH. REF.
I1/A9.0

CRL D2307 SERIES SLIDER
FINISH: CLEAR ANODIZED

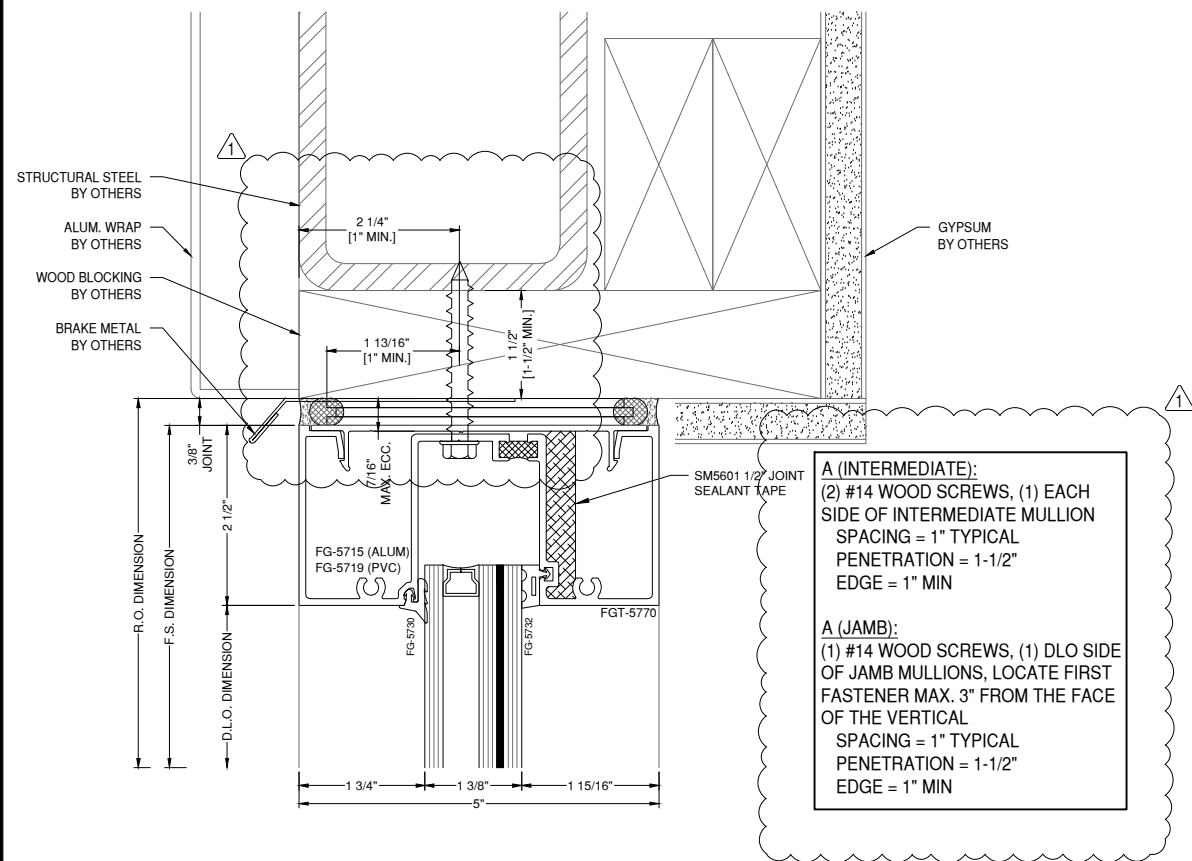
REVISION	DATE
0	10.30.24
1	02.17.25
-	-
-	-
-	-

PROJECT NUMBER:
24-379E

PROJECT NAME:
ST. MARTIN HOSPITAL

SHEET DESCRIPTION:
ELEVATIONS

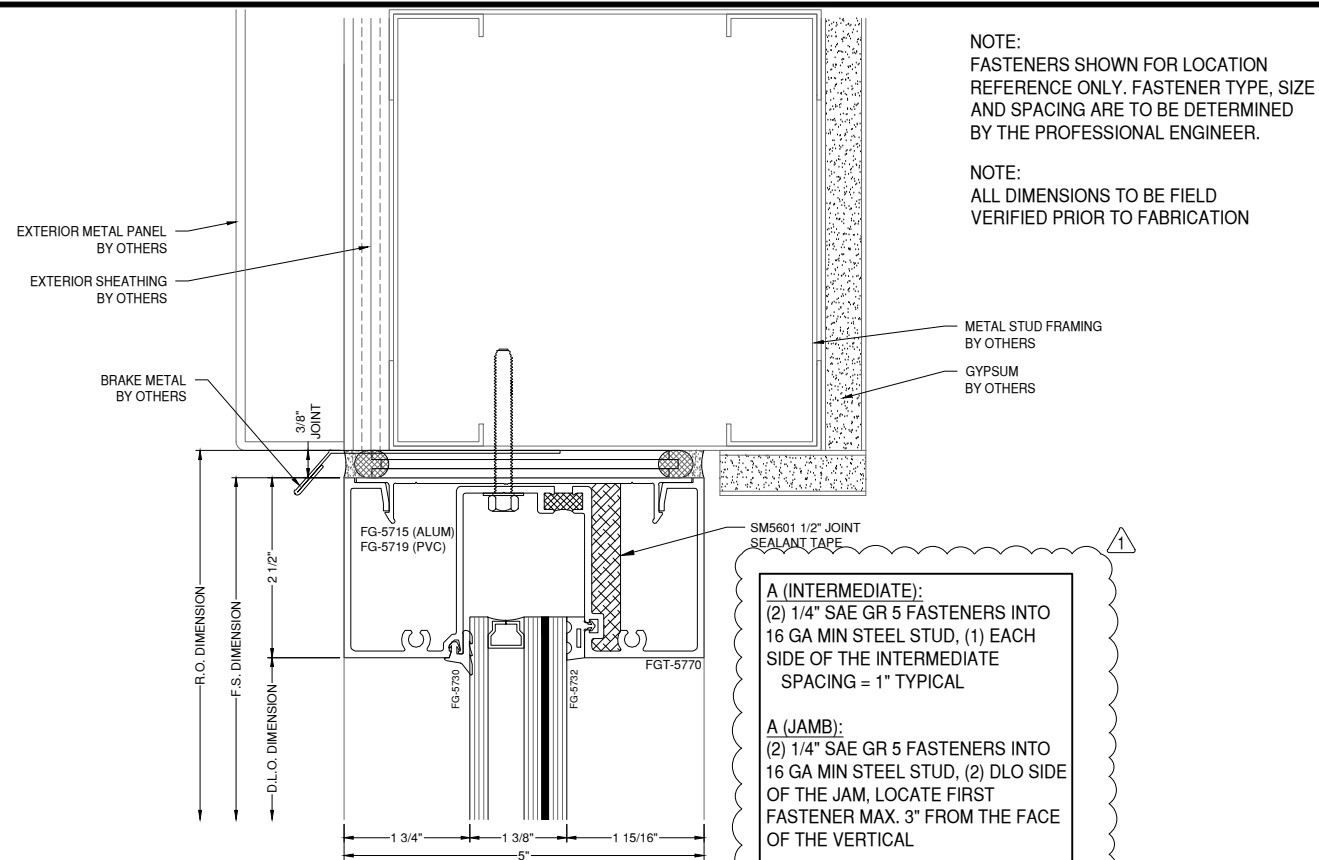
SHEET:
E5



A (INTERMEDIATE):
 (2) #14 WOOD SCREWS, (1) EACH SIDE OF INTERMEDIATE MULLION
 SPACING = 1" TYPICAL
 PENETRATION = 1-1/2"
 EDGE = 1" MIN

A (JAMB):
 (1) #14 WOOD SCREWS, (1) DLO SIDE OF JAMB MULLIONS, LOCATE FIRST FASTENER MAX. 3" FROM THE FACE OF THE VERTICAL
 SPACING = 1" TYPICAL
 PENETRATION = 1-1/2"
 EDGE = 1" MIN

1 HEAD DETAIL FG5750T
 DRAWING SCALE
 24x36: 3/4:1
 11x17: 3/8:1



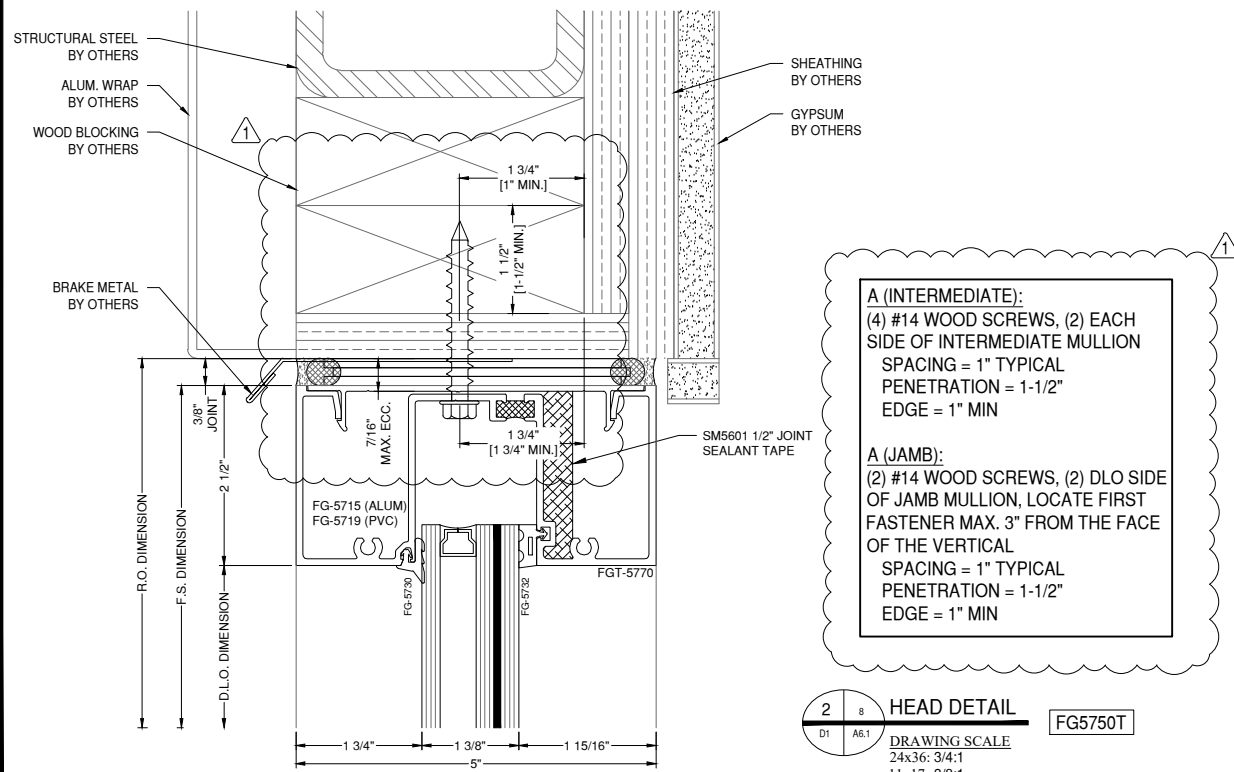
A (INTERMEDIATE):
 (2) 1/4" SAE GR 5 FASTENERS INTO 16 GA MIN STEEL STUD, (1) EACH SIDE OF THE INTERMEDIATE
 SPACING = 1" TYPICAL

A (JAMB):
 (2) 1/4" SAE GR 5 FASTENERS INTO 16 GA MIN STEEL STUD, (2) DLO SIDE OF THE JAM, LOCATE FIRST FASTENER MAX. 3" FROM THE FACE OF THE VERTICAL

3 HEAD DETAIL FG5750T
 DRAWING SCALE
 24x36: 3/4:1
 11x17: 3/8:1

NOTE:
 FASTENERS SHOWN FOR LOCATION REFERENCE ONLY. FASTENER TYPE, SIZE AND SPACING ARE TO BE DETERMINED BY THE PROFESSIONAL ENGINEER.

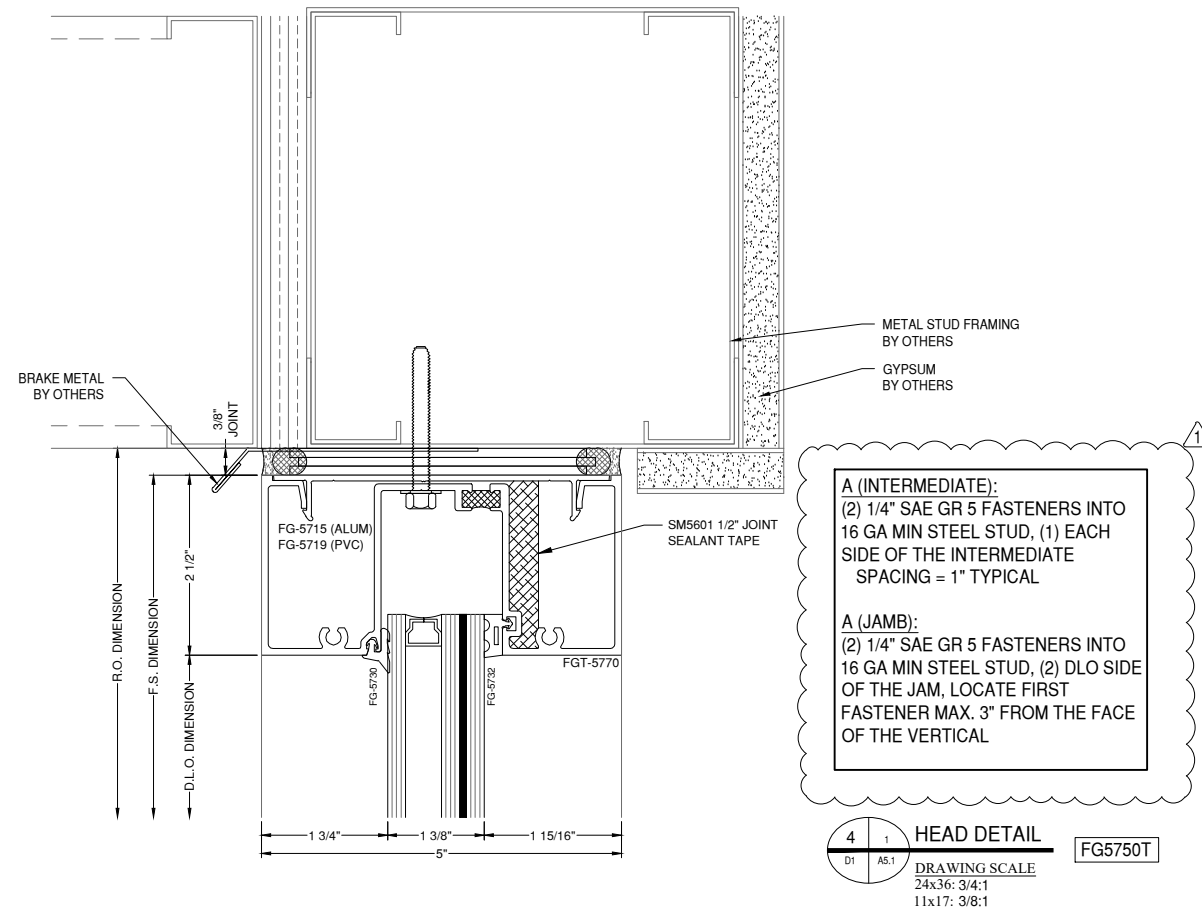
NOTE:
 ALL DIMENSIONS TO BE FIELD VERIFIED PRIOR TO FABRICATION



A (INTERMEDIATE):
 (4) #14 WOOD SCREWS, (2) EACH SIDE OF INTERMEDIATE MULLION
 SPACING = 1" TYPICAL
 PENETRATION = 1-1/2"
 EDGE = 1" MIN

A (JAMB):
 (2) #14 WOOD SCREWS, (2) DLO SIDE OF JAMB MULLION, LOCATE FIRST FASTENER MAX. 3" FROM THE FACE OF THE VERTICAL
 SPACING = 1" TYPICAL
 PENETRATION = 1-1/2"
 EDGE = 1" MIN

2 HEAD DETAIL FG5750T
 DRAWING SCALE
 24x36: 3/4:1
 11x17: 3/8:1



A (INTERMEDIATE):
 (2) 1/4" SAE GR 5 FASTENERS INTO 16 GA MIN STEEL STUD, (1) EACH SIDE OF THE INTERMEDIATE
 SPACING = 1" TYPICAL

A (JAMB):
 (2) 1/4" SAE GR 5 FASTENERS INTO 16 GA MIN STEEL STUD, (2) DLO SIDE OF THE JAM, LOCATE FIRST FASTENER MAX. 3" FROM THE FACE OF THE VERTICAL

4 HEAD DETAIL FG5750T
 DRAWING SCALE
 24x36: 3/4:1
 11x17: 3/8:1

GLAZING CONTRACTOR

999 STREET, ST
 CITY, STATE 99999
 PH: 999.999.9999



www.MPDRAFTING.com
 P: 248.522.7096
 F: 248.522.7030

ARCHITECT:

WHLC ARCHITECTURE
 1744 OAKDALE DR.
 BATON ROUGE, LA 70810
 PHONE# (225) 767-1530

ARCHITECT NOTE:
 ALL NOTES REQUESTING VERIFICATION, CONFIRMATION, OR INFORMATION THAT ARE NOT ANSWERED ARE ASSUMED TO BE CORRECT AS SHOWN ON THESE DRAWINGS.

STAMPS/ SUBMITTALS:

REVISION	DATE
0	10.30.24
1	02.17.25
-	-
-	-

PROJECT NUMBER:
24-379E

PROJECT NAME:
ST. MARTIN HOSPITAL

SHEET DESCRIPTION:
DETAILS

SHEET:
D1

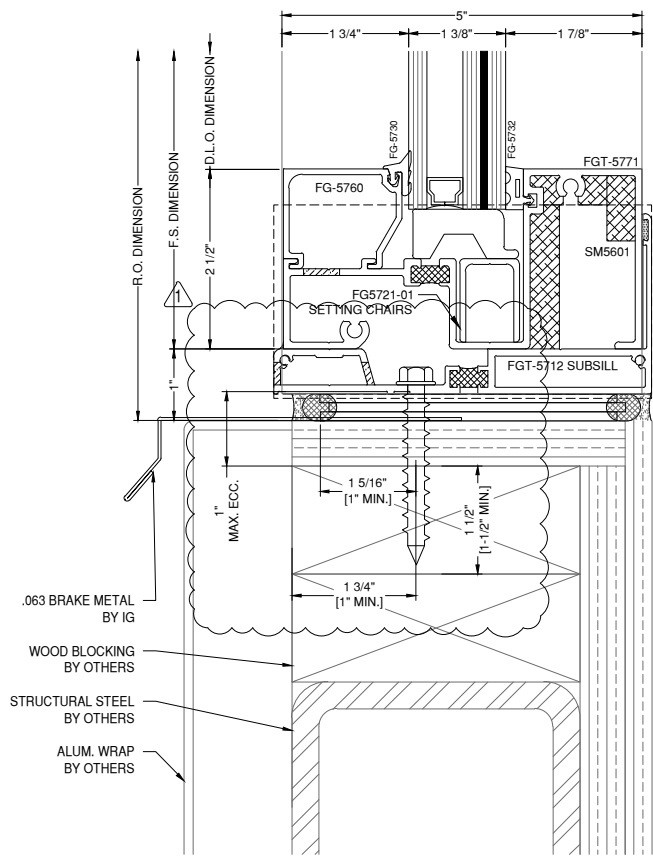
NOTE:
FASTENERS SHOWN FOR LOCATION
REFERENCE ONLY. FASTENER TYPE, SIZE
AND SPACING ARE TO BE DETERMINED
BY THE PROFESSIONAL ENGINEER.

NOTE:
ALL DIMENSIONS TO BE FIELD
VERIFIED PRIOR TO FABRICATION

A (INTERMEDIATE):
(2) #14 WOOD SCREWS, (1) EACH
SIDE OF INTERMEDIATE MULLION
SPACING = 1" TYPICAL
PENETRATION = 1-1/2"
EDGE = 1" MIN

A (JAMB):
(1) #14 WOOD SCREWS, (1) DLO SIDE
OF JAMB MULLIONS, LOCATE FIRST
FASTENER MAX. 3" FROM THE FACE
OF THE VERTICAL
SPACING = 1" TYPICAL
PENETRATION = 1-1/2"
EDGE = 1" MIN

GYPSUM
BY OTHERS
SHEATHING
BY OTHERS



5 **8** SILL DETAIL
D2 AE.1 DRAWING SCALE
24x36: 3/4:1
11x17: 3/8:1

A (INTERMEDIATE):
(2) 1/4" HILTI KWIK CON II+, (1) EACH
SIDE OF THE INT.
MIN EDGE = 4"
EMBED = 1-3/4"
SPACING = 1" TYPICAL

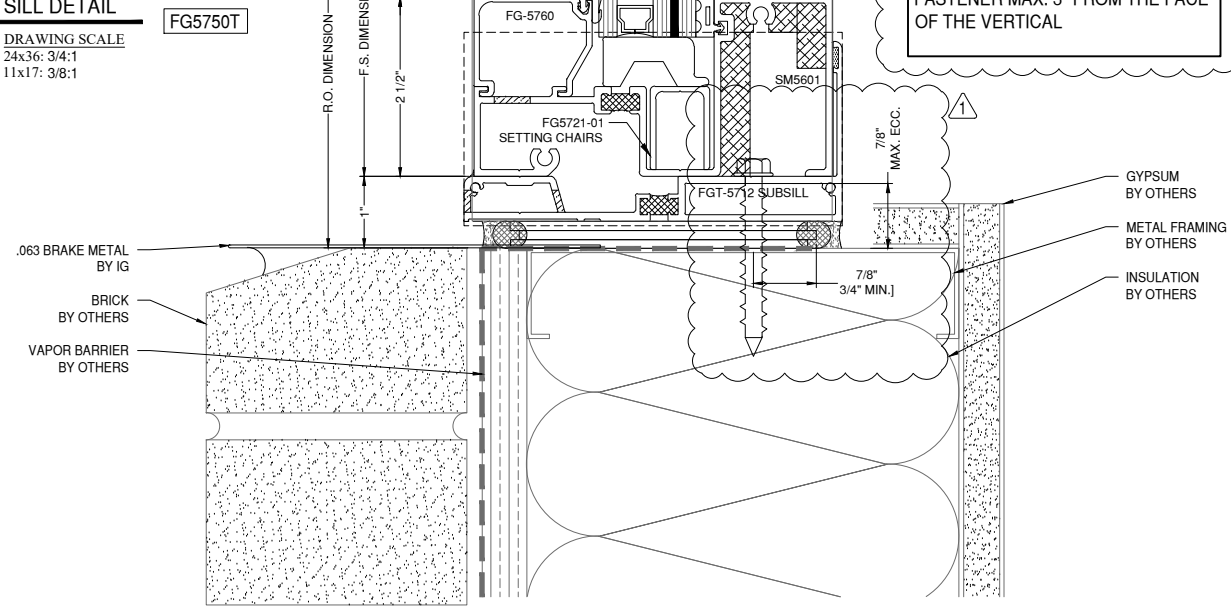
A (JAMB):
(1) 1/4" HILTI KWIK CON II+, (1) DLO
SIDE OF THE JAMB, LOCATE FIRST
FASTENER MAX. 3" OFF THE FACE
OF THE VERTICAL
MIN EDGE = 4"
EMBED = 1-3/4"

A (DOOR):
(1) 1/4" HILTI KWIK CON II+, (1) DLO
SIDE OF THE DOOR, LOCATE FIRST
FASTENER MAX. 3" OFF THE FACE
OF THE VERTICAL
MIN EDGE = 4"
EMBED = 1-3/4"

CONCRETE
BY OTHERS

6 **10** SILL DETAIL
D2 AE.1 DRAWING SCALE
24x36: 3/4:1
11x17: 3/8:1

7 **9** SILL DETAIL
D2 AE.1 DRAWING SCALE
24x36: 3/4:1
11x17: 3/8:1



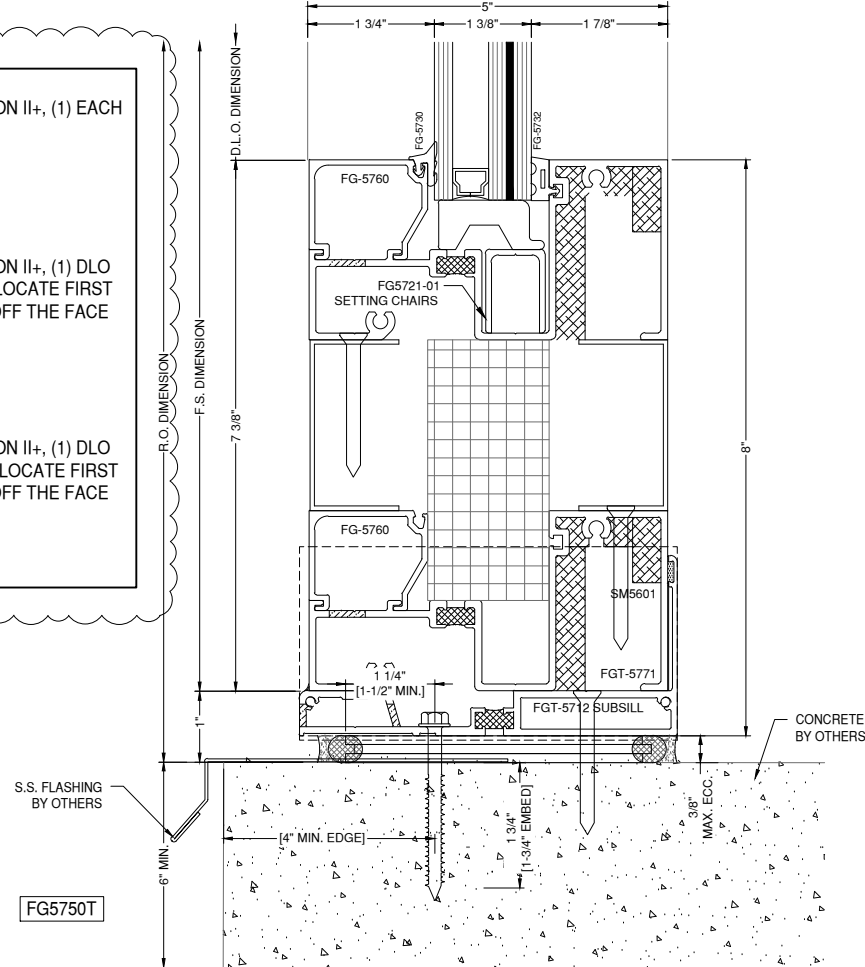
A (INTERMEDIATE):
(2) 1/4" SAE GR 5 FASTENERS INTO
16 GA MIN STEEL STUD, (1) EACH
SIDE OF THE INTERMEDIATE
SPACING = 1" TYPICAL

A (JAMB):
(2) 1/4" SAE GR 5 FASTENERS INTO
16 GA MIN STEEL STUD, (2) DLO SIDE
OF THE JAM, LOCATE FIRST
FASTENER MAX. 3" FROM THE FACE
OF THE VERTICAL

A (INTERMEDIATE):
(2) 1/4" HILTI KWIK CON II+, (1) EACH
SIDE OF THE INT.
MIN EDGE = 4"
EMBED = 1-3/4"
SPACING = 4"

A (JAMB):
(1) 1/4" HILTI KWIK CON II+, (1) DLO
SIDE OF THE JAMB, LOCATE FIRST
FASTENER MAX. 3" OFF THE FACE
OF THE VERTICAL
MIN EDGE = 4"
EMBED = 1-3/4"

A (DOOR):
(1) 1/4" HILTI KWIK CON II+, (1) DLO
SIDE OF THE DOOR, LOCATE FIRST
FASTENER MAX. 3" OFF THE FACE
OF THE VERTICAL
MIN EDGE = 4"
EMBED = 1-3/4"



6A **10** SILL DETAIL
D2 AE.1 DRAWING SCALE
24x36: 3/4:1
11x17: 3/8:1

GLAZING CONTRACTOR

999 STREET, ST
CITY, STATE 99999

PH: 999.999.9999

MP drafting & design

www.MPDRAFTING.com

P: 248.522.7096

F: 248.522.7030

ARCHITECT:

WHLC ARCHITECTURE

1744 OAKDALE DR.
BATON ROUGE, LA 70810
PHONE# (225) 767-1530

ARCHITECT NOTE:
ALL NOTES REQUESTING VERIFICATION,
CONFIRMATION, OR INFORMATION THAT ARE
NOT ANSWERED ARE ASSUMED TO BE
CORRECT AS SHOWN ON THESE DRAWINGS.

STAMPS/ SUBMITTALS:

REVISION	DATE
0	10.30.24
1	02.17.25
-	-
-	-

PROJECT NUMBER:
24-379E

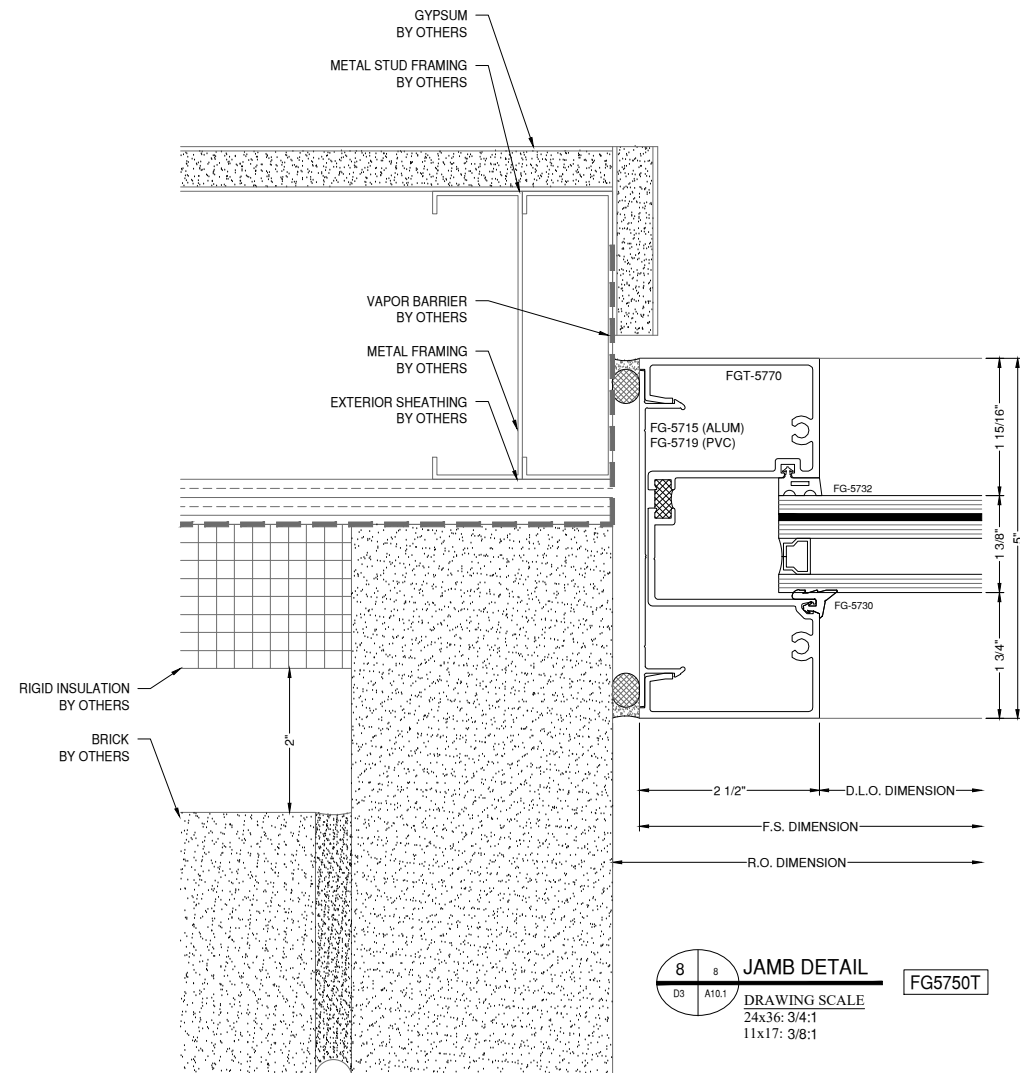
PROJECT NAME:
ST. MARTIN HOSPITAL

SHEET DESCRIPTION:
DETAILS

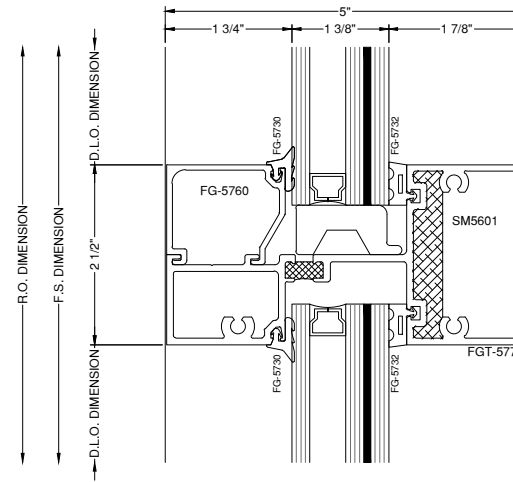
SHEET:
D2

NOTE:
FASTENERS SHOWN FOR LOCATION
REFERENCE ONLY. FASTENER TYPE, SIZE
AND SPACING ARE TO BE DETERMINED
BY THE PROFESSIONAL ENGINEER.

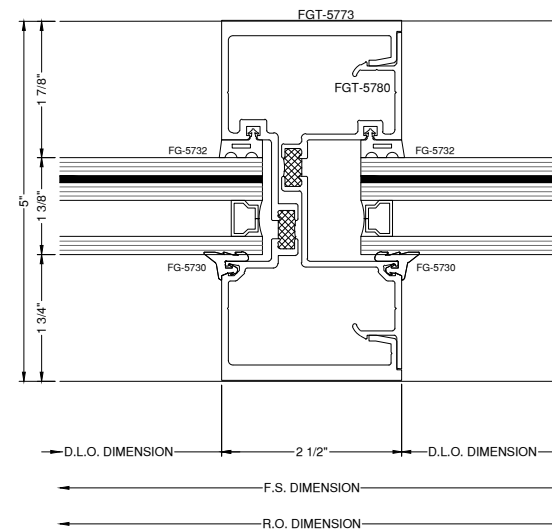
NOTE:
ALL DIMENSIONS TO BE FIELD
VERIFIED PRIOR TO FABRICATION



8 JAMB DETAIL **FG5750T**
DRAWING SCALE
24x36: 3/4:1
11x17: 3/8:1



9 HORIZ DETAIL **FG5750T**
DRAWING SCALE
24x36: 3/4:1
11x17: 3/8:1



10 VERT DETAIL **FG5750T**
DRAWING SCALE
24x36: 3/4:1
11x17: 3/8:1

GLAZING CONTRACTOR

999 STREET, ST
CITY, STATE 99999
PH: 999.999.9999



www.MPDRAFTING.com
P: 248.522.7096
F: 248.522.7030

ARCHITECT:

WHLC ARCHITECTURE
1744 OAKDALE DR.
BATON ROUGE, LA 70810
PHONE# (225) 767-1530

ARCHITECT NOTE:
ALL NOTES REQUESTING VERIFICATION,
CONFIRMATION, OR INFORMATION THAT ARE
NOT ANSWERED ARE ASSUMED TO BE
CORRECT AS SHOWN ON THESE DRAWINGS.

STAMPS/ SUBMITTALS:

REVISION	DATE
0	10.30.24
1	02.17.25
-	-
-	-
-	-

PROJECT NUMBER:
24-379E

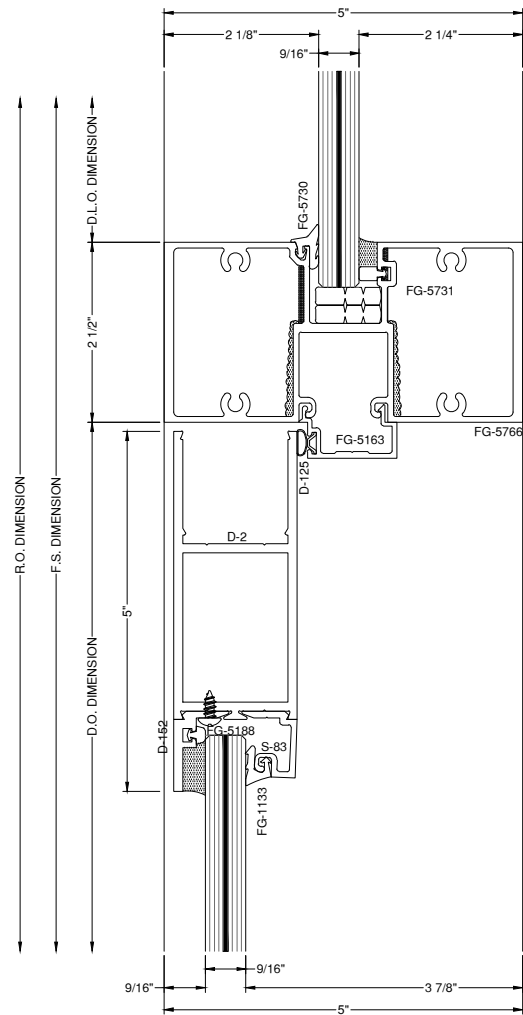
PROJECT NAME:
ST. MARTIN HOSPITAL

SHEET DESCRIPTION:
DETAILS

SHEET:
D3

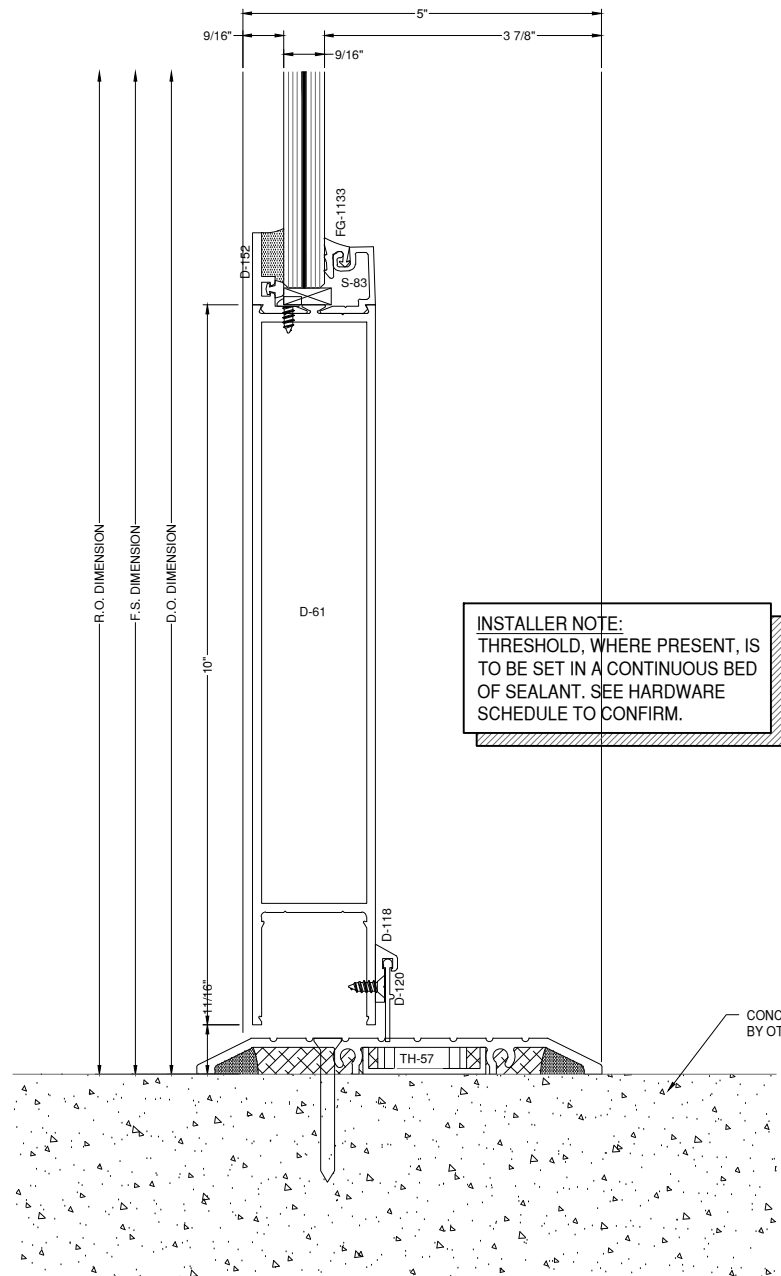
NOTE:
FASTENERS SHOWN FOR LOCATION
REFERENCE ONLY. FASTENER TYPE, SIZE
AND SPACING ARE TO BE DETERMINED
BY THE PROFESSIONAL ENGINEER.

NOTE:
ALL DIMENSIONS TO BE FIELD
VERIFIED PRIOR TO FABRICATION

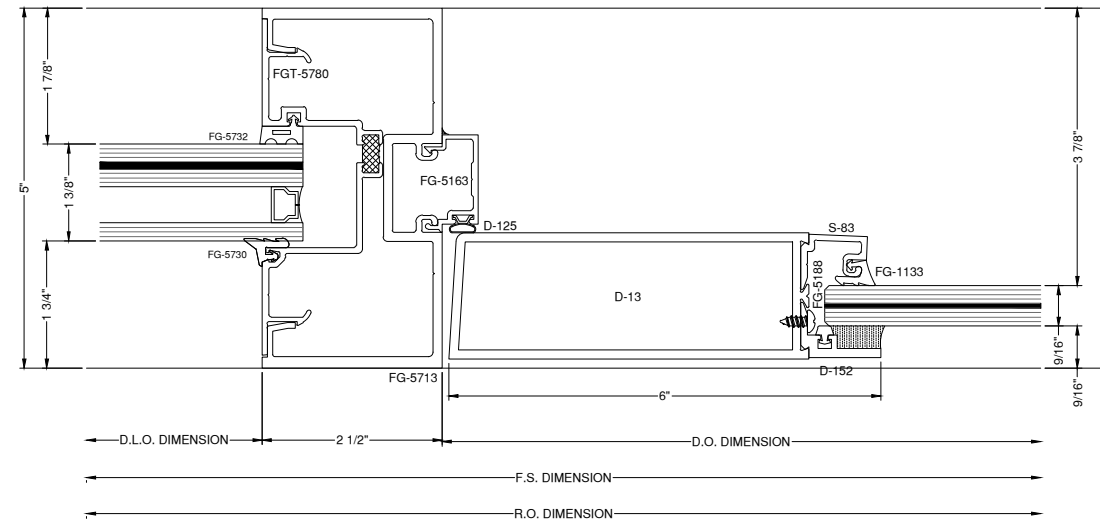


11 DOOR DETAIL
DRAWING SCALE
24x36: 3/4:1
11x17: 3/8:1
FG5750T
WSD 500

12 THRESHOLD
DRAWING SCALE
24x36: 3/4:1
11x17: 3/8:1
FG5750T
WSD 500

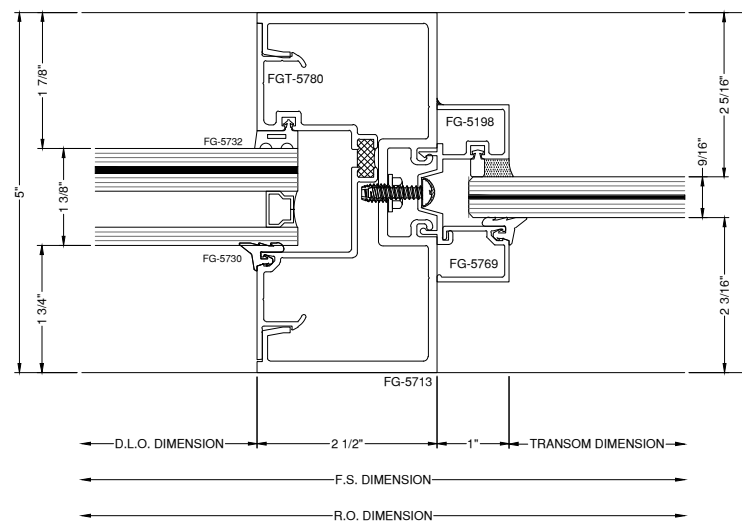


INSTALLER NOTE:
THRESHOLD, WHERE PRESENT, IS
TO BE SET IN A CONTINUOUS BED
OF SEALANT. SEE HARDWARE
SCHEDULE TO CONFIRM.



13 DOOR JAMB
DRAWING SCALE
24x36: 3/4:1
11x17: 3/8:1
FG5750T
WSD 500

14 TRANSOM DETAIL
DRAWING SCALE
24x36: 3/4:1
11x17: 3/8:1
FG5750T



GLAZING CONTRACTOR

999 STREET, ST
CITY, STATE 99999

PH: 999.999.9999



www.MPDRAFTING.com
P: 248.522.7096
F: 248.522.7030

ARCHITECT:

WHLC ARCHITECTURE

1744 OAKDALE DR.
BATON ROUGE, LA 70810
PHONE# (225) 767-1530

ARCHITECT NOTE:
ALL NOTES REQUESTING VERIFICATION,
CONFIRMATION, OR INFORMATION THAT ARE
NOT ANSWERED ARE ASSUMED TO BE
CORRECT AS SHOWN ON THESE DRAWINGS.

STAMPS/ SUBMITTALS:

REVISION	DATE
0	10.30.24
1	02.17.25
.	.
.	.

PROJECT NUMBER:
24-379E

PROJECT NAME:
ST. MARTIN HOSPITAL

SHEET DESCRIPTION:
DETAILS

SHEET:
D4

GLAZING CONTRACTOR

999 STREET, ST
CITY, STATE 99999
PH: 999.999.9999



www.MPDRAFTING.com
P: 248.522.7096
F: 248.522.7030

ARCHITECT:

WHLC ARCHITECTURE

1744 OAKDALE DR.
BATON ROUGE, LA 70810
PHONE# (225) 767-1530

ARCHITECT NOTE:
ALL NOTES REQUESTING VERIFICATION,
CONFIRMATION, OR INFORMATION THAT ARE
NOT ANSWERED ARE ASSUMED TO BE
CORRECT AS SHOWN ON THESE DRAWINGS.

STAMPS/ SUBMITTALS:

REVISION	DATE
0	10.30.24
1	02.17.25
-	-
-	-
-	-

PROJECT NUMBER:
24-379E

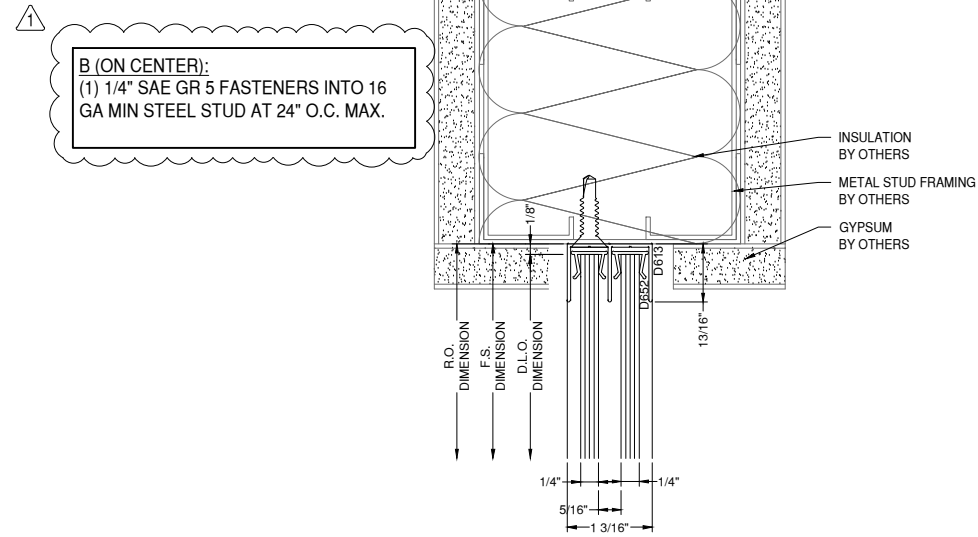
PROJECT NAME:
ST. MARTIN HOSPITAL

SHEET DESCRIPTION:
DETAILS

SHEET:
D5

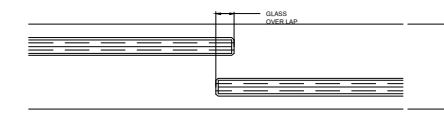
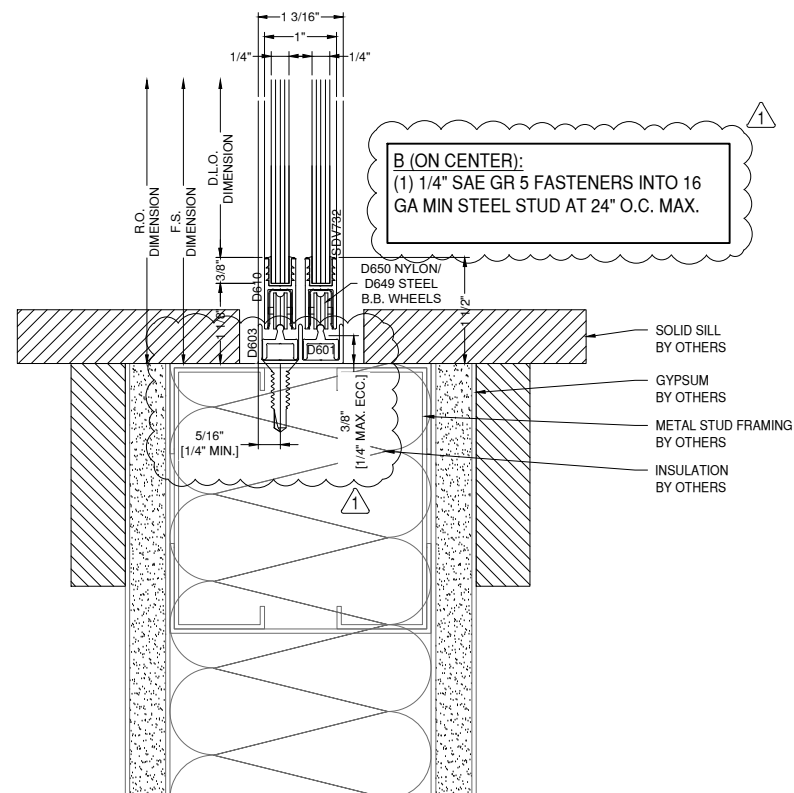
NOTE:
FASTENERS SHOWN FOR LOCATION
REFERENCE ONLY. FASTENER TYPE, SIZE
AND SPACING ARE TO BE DETERMINED
BY THE PROFESSIONAL ENGINEER.

NOTE:
ALL DIMENSIONS TO BE FIELD
VERIFIED PRIOR TO FABRICATION

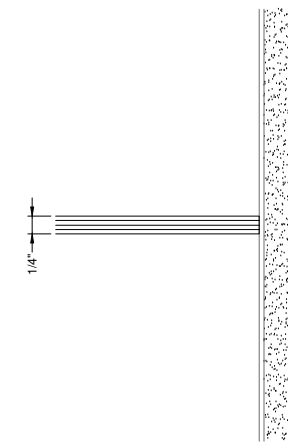


15 HEAD DETAIL
D5 A10.1
DRAWING SCALE
24x36: 3/4:1
11x17: 3/8:1
D2307

16 SILL DETAIL
D5
DRAWING SCALE
24x36: 3/4:1
11x17: 3/8:1
D2307



17 OVER LAP DETAIL
D5
DRAWING SCALE
24x36: 3/4:1
11x17: 3/8:1
D2307



18 JAMB DETAIL
D5 A10.1
DRAWING SCALE
24x36: 3/4:1
11x17: 3/8:1
D2307