

1 LEVEL 03 FLOOR PLAN
P1 DRAWING SCALE
 24x36: 1:100
 11x17: 1:200

ARCH. REF.
 1/A11.03



NOTE:
 THESE PLANS VIEWS ARE FOR LOCATION
 REFERENCE ONLY. WALLS AND STRUCTURES
 WITHIN THE IMMEDIATE SURROUNDINGS OF THE
 SCOPE OF WORK HAVE BEEN INCLUDED. OTHER
 WALLS AND STRUCTURES MAY NOT BE INCLUDED.
 PLEASE REFER TO THE MOST CURRENT SET OF
 ARCHITECTURAL PLANS FOR FULL PLAN VIEWS.

MP drafting
 & design

www.MPDRAFTING.com

P: 248.522.7096

F: 248.522.7030

ARCHITECT:

PERKINS + WILL

CHICAGO, ILLINOIS

ARCHITECT NOTE:
 ALL NOTES REQUESTING VERIFICATION,
 CONFIRMATION, OR INFORMATION THAT ARE
 NOT ANSWERED ARE ASSUMED TO BE
 CORRECT AS SHOWN ON THESE DRAWINGS.

STAMPS/
 SUBMITTALS:

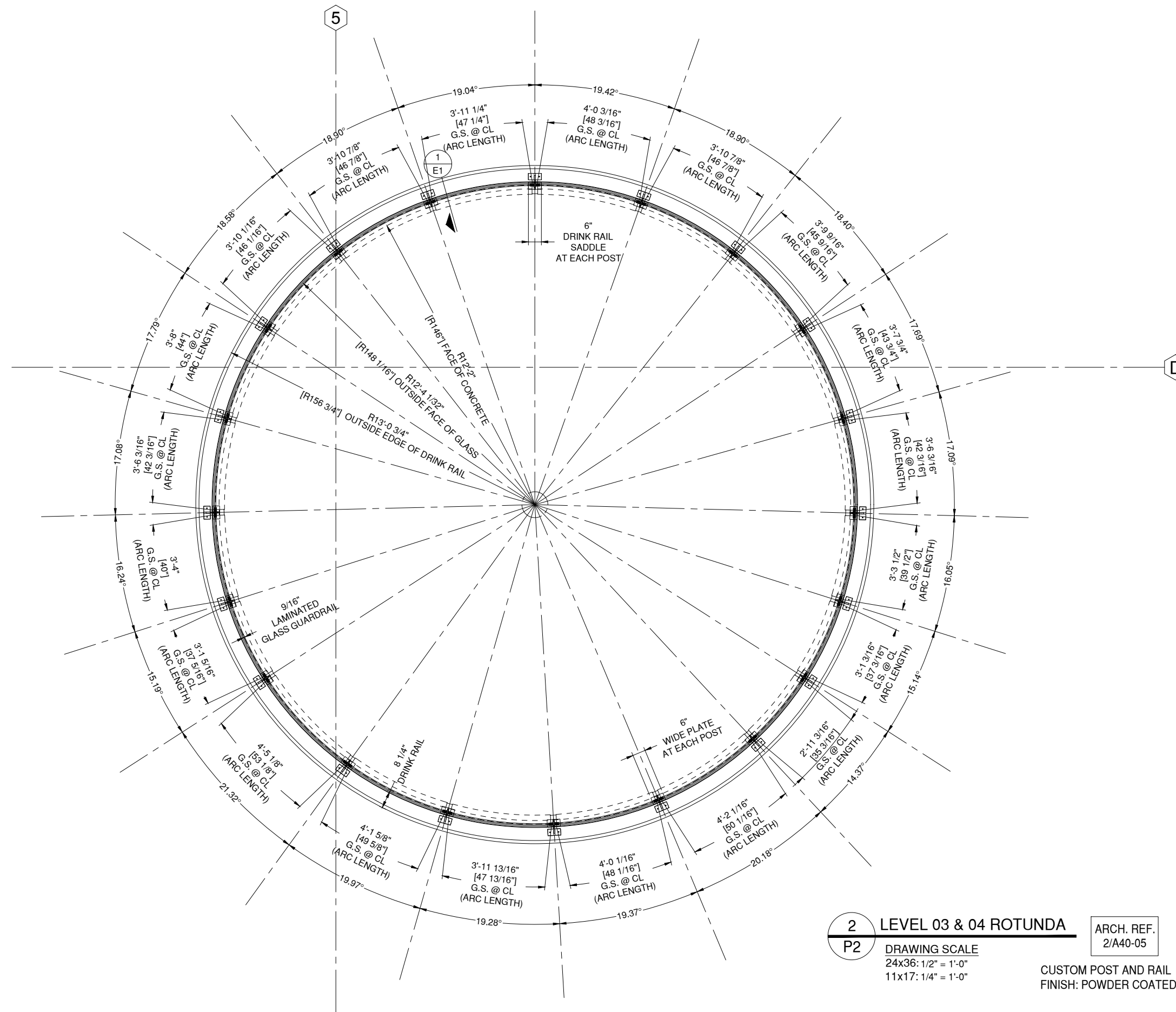
REVISION	DATE
0	11.02.18
1	02.04.19
2	03.25.19
3	04.15.19
-	-

PROJECT NUMBER:
 18-303

PROJECT NAME:
 STARBUCKS ROTUNDA 3 & 4

SHEET DESCRIPTION:
 PLAN VIEW

SHEET:
P1



NOTE:
ALL DIMENSIONS TO BE FIELD
VERIFIED PRIOR TO FABRICATION

2 LEVEL 03 & 04 ROTUNDA
P2 DRAWING SCALE
24x36: 1/2" = 1'-0"
11x17: 1/4" = 1'-0"

ARCH. REF.
2/A40-05

CUSTOM POST AND RAIL
FINISH: POWDER COATED

MP drafting
& design

www.MPDRAFTING.com

P: 248.522.7096

F: 248.522.7030

ARCHITECT:

PERKINS + WILL

CHICAGO, ILLINOIS

ARCHITECT NOTE:
ALL NOTES REQUESTING VERIFICATION,
CONFIRMATION, OR INFORMATION THAT ARE
NOT ANSWERED ARE ASSUMED TO BE
CORRECT AS SHOWN ON THESE DRAWINGS.

STAMPS/
SUBMITTALS:

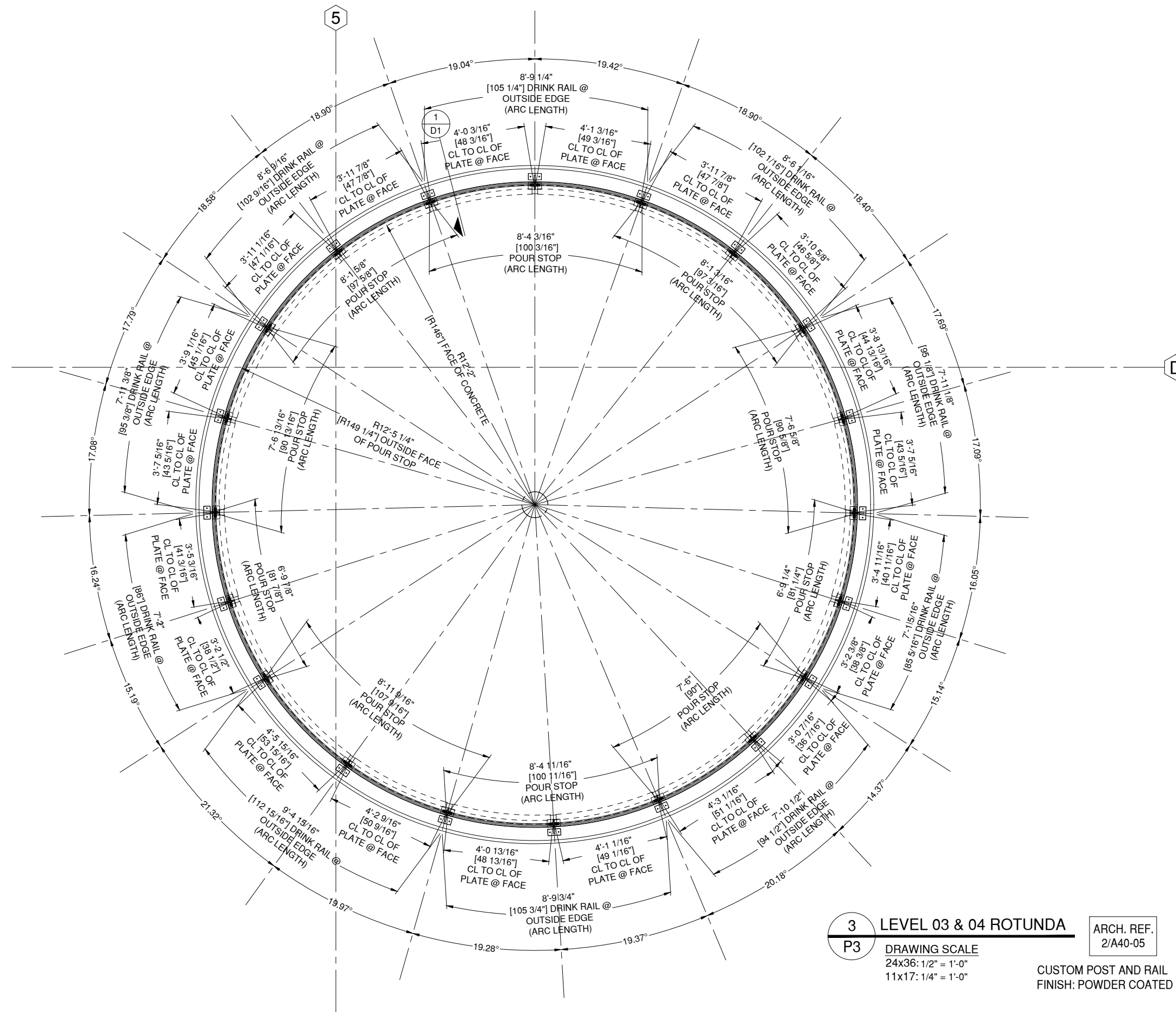
REVISION	DATE
0	11.02.18
1	02.04.19
2	03.25.19
3	04.15.19
-	-

PROJECT NUMBER:
18-303

PROJECT NAME:
STARBUCKS ROTUNDA 3 & 4

SHEET DESCRIPTION:
ELEVATIONS

SHEET:
P1



NOTE:
ALL DIMENSIONS TO BE FIELD
VERIFIED PRIOR TO FABRICATION

3 LEVEL 03 & 04 ROTUNDA
P3 DRAWING SCALE
24x36: 1/2" = 1'-0"
11x17: 1/4" = 1'-0"

ARCH. REF.
2/A40-05

CUSTOM POST AND RAIL
FINISH: POWDER COATED

MP drafting
& design

www.MPDRAFTING.com

P: 248.522.7096

F: 248.522.7030

ARCHITECT:

PERKINS + WILL

CHICAGO, ILLINOIS

ARCHITECT NOTE:
ALL NOTES REQUESTING VERIFICATION,
CONFIRMATION, OR INFORMATION THAT ARE
NOT ANSWERED ARE ASSUMED TO BE
CORRECT AS SHOWN ON THESE DRAWINGS.

STAMPS/
SUBMITTALS:

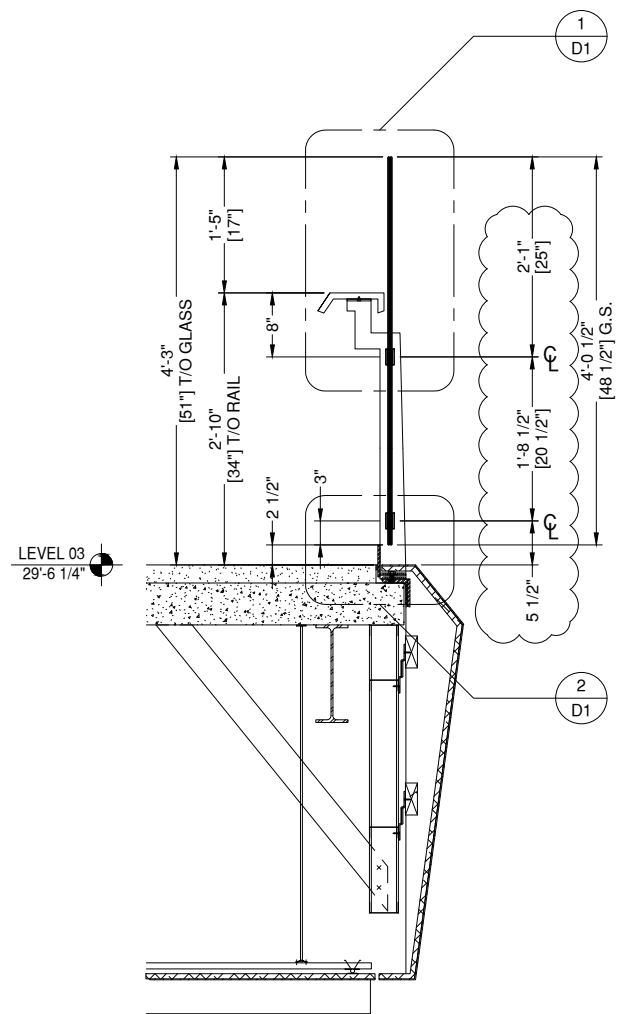
REVISION	DATE
0	11.02.18
1	02.04.19
2	03.25.19
3	04.15.19
-	-

PROJECT NUMBER:
18-303

PROJECT NAME:
STARBUCKS ROTUNDA 3 & 4

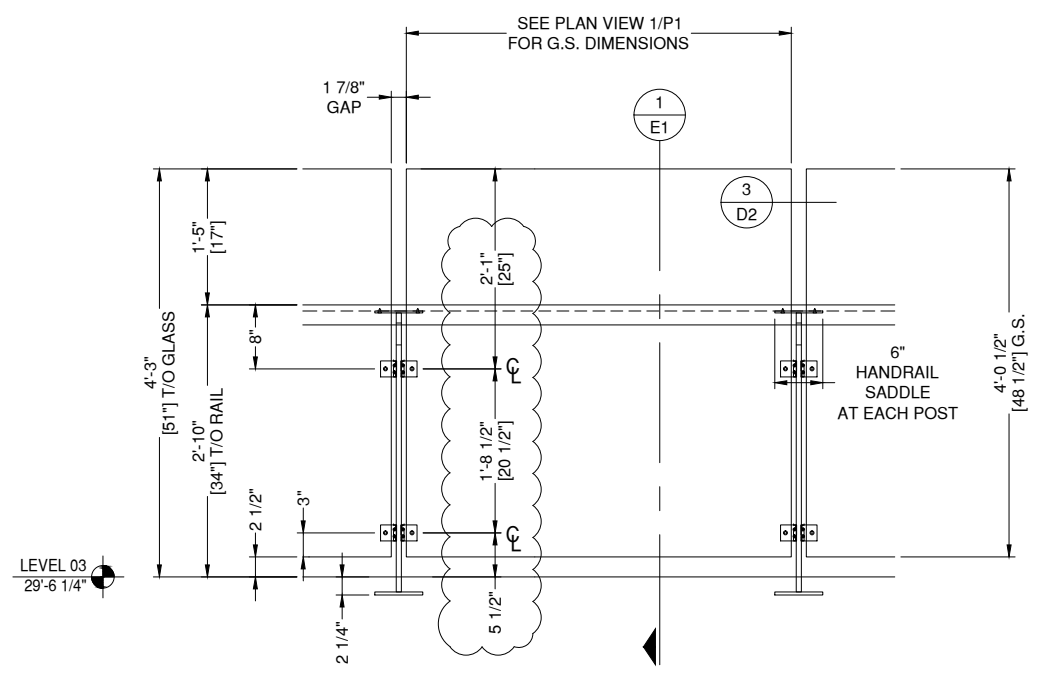
SHEET DESCRIPTION:
ELEVATIONS

SHEET:
P3



1 SECTION AT LEVEL 03 ROTUNDA
E1 DRAWING SCALE
 24x36: 1" = 1'-0"
 11x17: 1/2" = 1'-0"

ARCH. REF.
 3/A40-31



2 ELEVATION AT LEVEL 03 ROTUNDA
E1 DRAWING SCALE
 24x36: 1" = 1'-0"
 11x17: 1/2" = 1'-0"

ARCH. REF.
 6/A40-33

NOTE:
 ALL DIMENSIONS TO BE FIELD
 VERIFIED PRIOR TO FABRICATION

MP drafting & design
 www.MPDRAFTING.com
 P: 248.522.7096
 F: 248.522.7030

ARCHITECT:
 PERKINS + WILL
 CHICAGO, ILLINOIS
 ARCHITECT NOTE:
 ALL NOTES REQUESTING VERIFICATION,
 CONFIRMATION, OR INFORMATION THAT ARE
 NOT ANSWERED ARE ASSUMED TO BE
 CORRECT AS SHOWN ON THESE DRAWINGS.

**STAMPS/
 SUBMITTALS:**

REVISION	DATE
0	11.02.18
1	02.04.19
2	03.25.19
3	04.15.19
-	-

PROJECT NUMBER:
18-303

PROJECT NAME:
STARBUCKS ROTUNDA 3 & 4

SHEET DESCRIPTION:
ELEVATIONS

SHEET:
E1