

1 LEVEL 02 FLOOR PLAN
P1 DRAWING SCALE
 24x36: 1:100
 11x17: 1:200

ARCH. REF.
 1/A11-02



NOTE:
 THESE PLANS VIEWS ARE FOR LOCATION REFERENCE ONLY. WALLS AND STRUCTURES WITHIN THE IMMEDIATE SURROUNDINGS OF THE SCOPE OF WORK HAVE BEEN INCLUDED. OTHER WALLS AND STRUCTURES MAY NOT BE INCLUDED. PLEASE REFER TO THE MOST CURRENT SET OF ARCHITECTURAL PLANS FOR FULL PLAN VIEWS.

MP drafting & design

www.MPDRAFTING.com

P: 248.522.7096

F: 248.522.7030

ARCHITECT:

PERKINS + WILL

CHICAGO, ILLINOIS

ARCHITECT NOTE:
 ALL NOTES REQUESTING VERIFICATION, CONFIRMATION, OR INFORMATION THAT ARE NOT ANSWERED ARE ASSUMED TO BE CORRECT AS SHOWN ON THESE DRAWINGS.

STAMPS/
 SUBMITTALS:

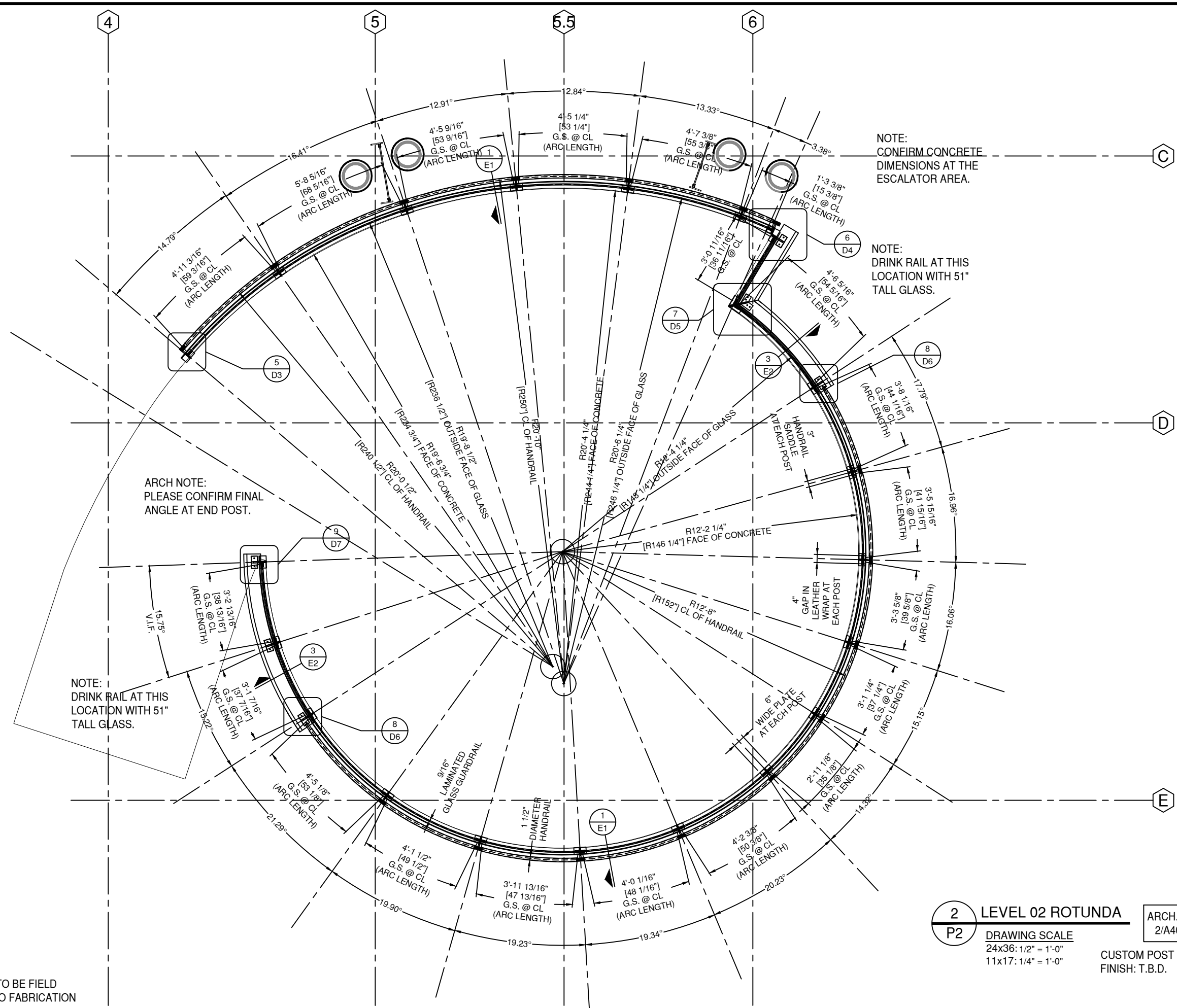
REVISION	DATE
0	02.25.19
1	03.20.19
2	05.06.19
-	-
-	-

PROJECT NUMBER:
18-303

PROJECT NAME:
STARBUCKS 2ND FLOOR

SHEET DESCRIPTION:
PLAN VIEW

SHEET:
P1



NOTE:
CONFIRM CONCRETE
DIMENSIONS AT THE
ESCALATOR AREA.

NOTE:
DRINK RAIL AT THIS
LOCATION WITH 51"
TALL GLASS.

ARCH NOTE:
PLEASE CONFIRM FINAL
ANGLE AT END POST.

NOTE:
DRINK RAIL AT THIS
LOCATION WITH 51"
TALL GLASS.

NOTE:
ALL DIMENSIONS TO BE FIELD
VERIFIED PRIOR TO FABRICATION

2 LEVEL 02 ROTUNDA
P2 DRAWING SCALE
24x36: 1/2" = 1'-0"
11x17: 1/4" = 1'-0"

ARCH. REF.
2/A40-04

CUSTOM POST AND RAIL
FINISH: T.B.D.

MP drafting
& design
www.MPDRAFTING.com
P: 248.522.7096
F: 248.522.7030

ARCHITECT:

PERKINS + WILL
CHICAGO, ILLINOIS

ARCHITECT NOTE:
ALL NOTES REQUESTING VERIFICATION,
CONFIRMATION, OR INFORMATION THAT ARE
NOT ANSWERED ARE ASSUMED TO BE
CORRECT AS SHOWN ON THESE DRAWINGS.

**STAMPS/
SUBMITTALS:**

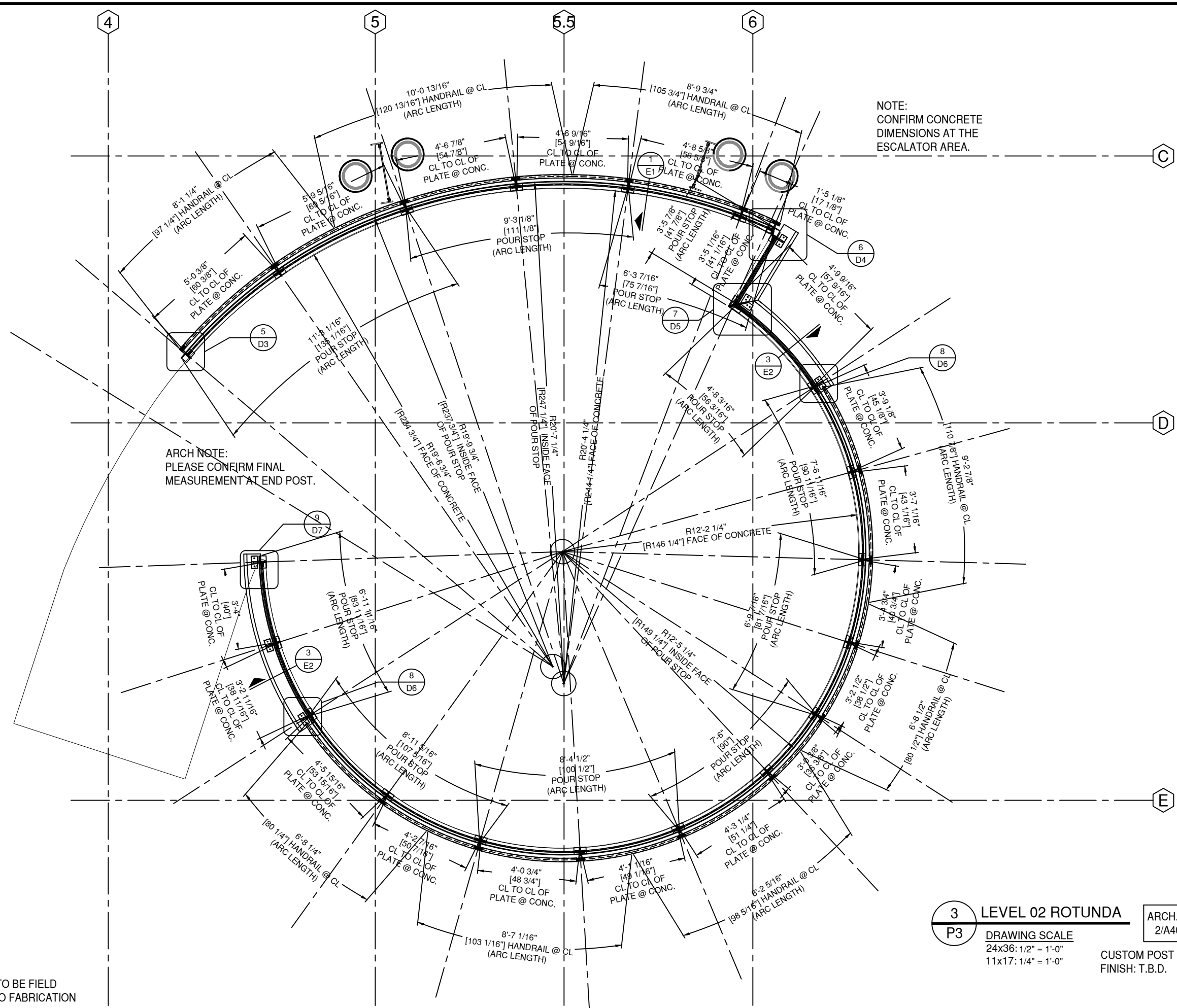
REVISION	DATE
0	02.25.19
1	03.20.19
2	05.06.19
-	-
-	-

PROJECT NUMBER:
18-303

PROJECT NAME:
STARBUCKS 2ND FLOOR

SHEET DESCRIPTION:
PLAN VIEW

SHEET:
P2



NOTE:
CONFIRM CONCRETE
DIMENSIONS AT THE
ESCALATOR AREA.

ARCH NOTE:
PLEASE CONFIRM FINAL
MEASUREMENT AT END POST.

NOTE:
ALL DIMENSIONS TO BE FIELD
VERIFIED PRIOR TO FABRICATION

3 LEVEL 02 ROTUNDA
P3 DRAWING SCALE
24x36: 1/2" = 1'-0"
11x17: 1/4" = 1'-0"

ARCH. REF.
2/A40-04

CUSTOM POST AND RAIL
FINISH: T.B.D.

MP drafting
& design
www.MPDRAFTING.com
P: 248.522.7096
F: 248.522.7030

ARCHITECT:

PERKINS + WILL
CHICAGO, ILLINOIS

ARCHITECT NOTE:
ALL NOTES REQUESTING VERIFICATION,
CONFIRMATION, OR INFORMATION THAT ARE
NOT ANSWERED ARE ASSUMED TO BE
CORRECT AS SHOWN ON THESE DRAWINGS.

**STAMPS/
SUBMITTALS:**

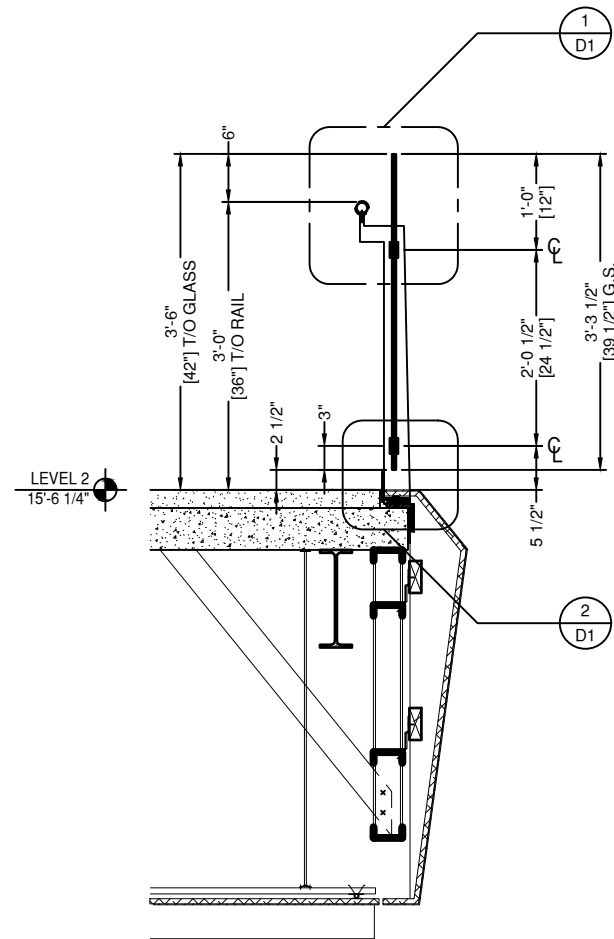
REVISION	DATE
0	02.25.19
1	03.20.19
2	05.06.19
-	-
-	-

PROJECT NUMBER:
18-303

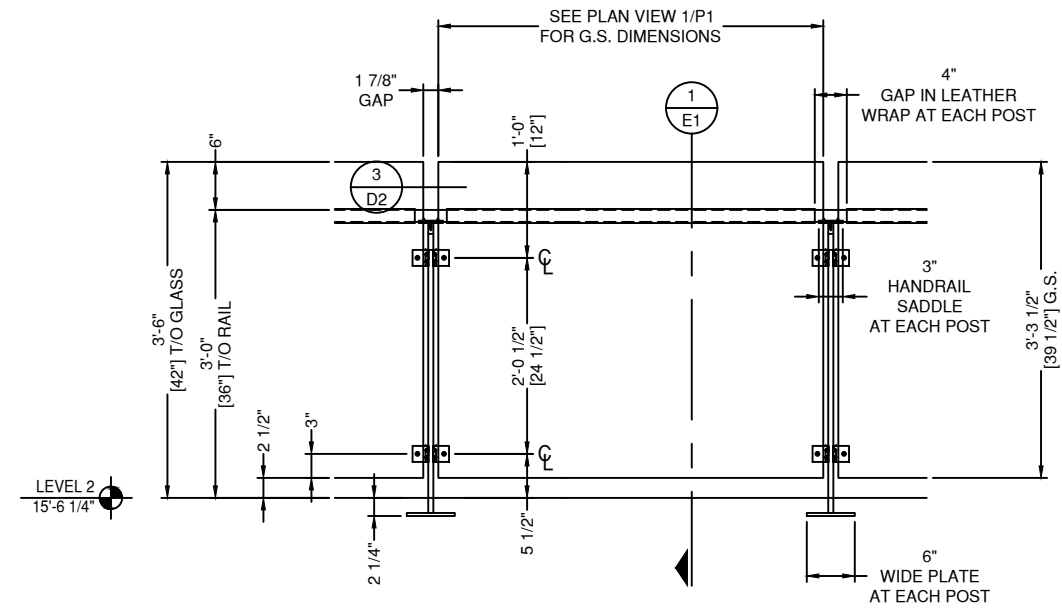
PROJECT NAME:
STARBUCKS 2ND FLOOR

SHEET DESCRIPTION:
PLAN VIEW

SHEET:
P3



1 SECTION AT LEVEL 02 ROTUNDA
E1 DRAWING SCALE
 24x36: 1" = 1'-0"
 11x17: 1/2" = 1'-0"



2 ELEVATION AT LEVEL 02 ROTUNDA
E1 DRAWING SCALE
 24x36: 1" = 1'-0"
 11x17: 1/2" = 1'-0"

NOTE:
 ALL DIMENSIONS TO BE FIELD
 VERIFIED PRIOR TO FABRICATION

MP drafting & design
 www.MPDRAFTING.com
 P: 248.522.7096
 F: 248.522.7030

ARCHITECT:
 PERKINS + WILL
 CHICAGO, ILLINOIS
 ARCHITECT NOTE:
 ALL NOTES REQUESTING VERIFICATION,
 CONFIRMATION, OR INFORMATION THAT ARE
 NOT ANSWERED ARE ASSUMED TO BE
 CORRECT AS SHOWN ON THESE DRAWINGS.

**STAMPS/
 SUBMITTALS:**

REVISION	DATE
0	02.25.19
1	03.20.19
2	05.06.19
-	-
-	-

PROJECT NUMBER:
18-303

PROJECT NAME:
STARBUCKS 2ND FLOOR

SHEET DESCRIPTION:
ELEVATIONS

SHEET:
E1