

1 LEVEL 01 FLOOR PLAN
P1 DRAWING SCALE
 24x36: 1:100
 11x17: 1:200

ARCH. REF.
 1/A11-01



NOTE:
 THESE PLANS VIEWS ARE FOR LOCATION
 REFERENCE ONLY. WALLS AND STRUCTURES
 WITHIN THE IMMEDIATE SURROUNDINGS OF THE
 SCOPE OF WORK HAVE BEEN INCLUDED. OTHER
 WALLS AND STRUCTURES MAY NOT BE INCLUDED.
 PLEASE REFER TO THE MOST CURRENT SET OF
 ARCHITECTURAL PLANS FOR FULL PLAN VIEWS.

MP drafting
 & design

www.MPDRAFTING.com
 P: 248.522.7096
 F: 248.522.7030

ARCHITECT:

PERKINS + WILL
 CHICAGO, ILLINOIS

ARCHITECT NOTE:
 ALL NOTES REQUESTING VERIFICATION,
 CONFIRMATION, OR INFORMATION THAT ARE
 NOT ANSWERED ARE ASSUMED TO BE
 CORRECT AS SHOWN ON THESE DRAWINGS.

STAMPS/
 SUBMITTALS:

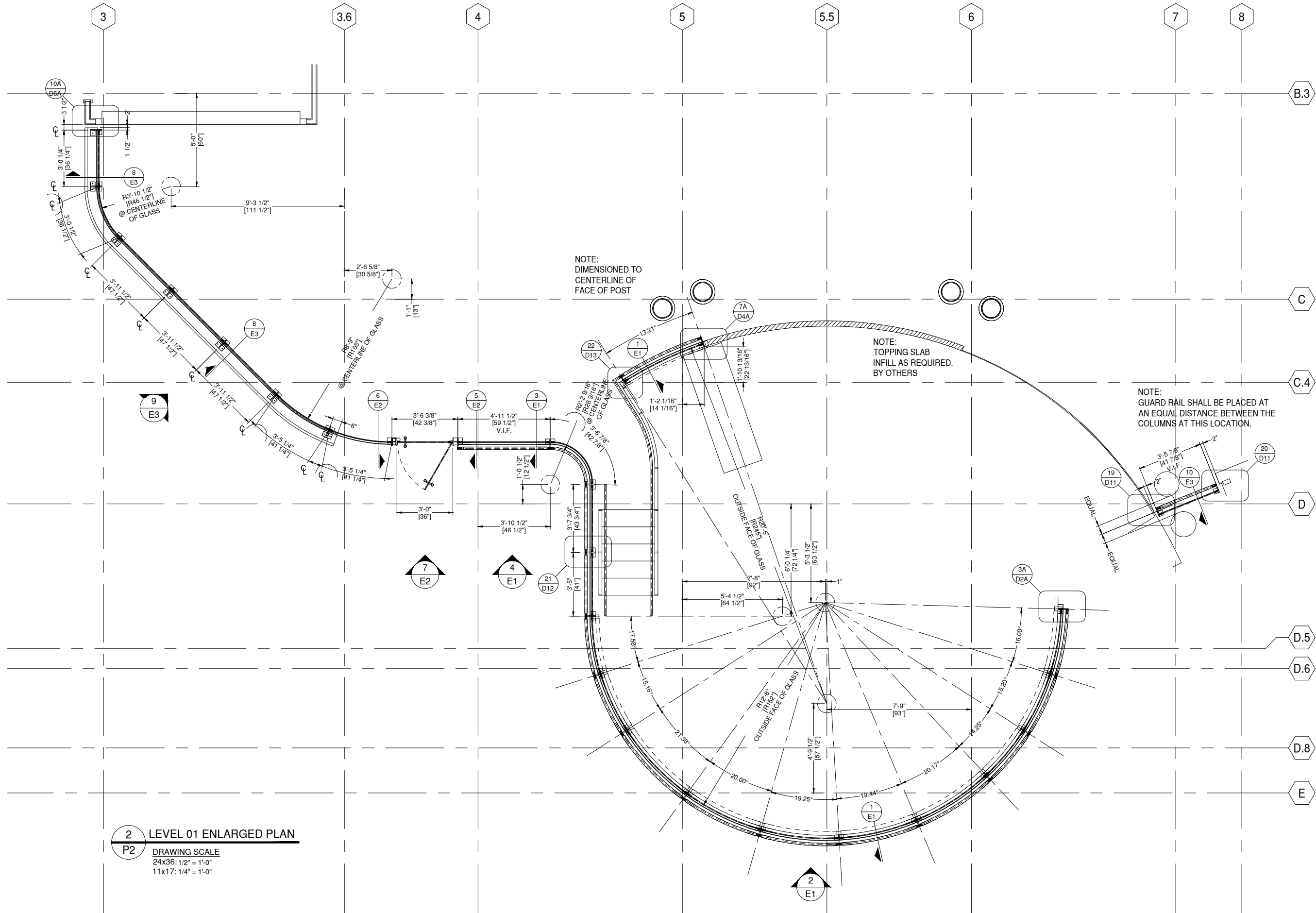
REVISION	DATE
0	04.30.19
1	05.31.19
2	06.11.19
-	-
-	-

PROJECT NUMBER:
 18-303

PROJECT NAME:
 STARBUCKS
 LEVEL 1 ROTUNDA

SHEET DESCRIPTION:
 PLAN VIEW

SHEET:
P1



NOTE:
DIMENSIONED TO
CENTERLINE OF
FACE OF POST

NOTE:
TOPPING SLAB
INFILL AS REQUIRED.
BY OTHERS

NOTE:
GUARD RAIL SHALL BE PLACED AT
AN EQUAL DISTANCE BETWEEN THE
COLUMNS AT THIS LOCATION.

2 LEVEL 01 ENLARGED PLAN
P2 DRAWING SCALE
24x36: 1/2" = 1'-0"
11x17: 1/4" = 1'-0"

MP drafting
& design
www.MPDRAFTING.com
P: 248.522.7096
F: 248.522.7030

ARCHITECT:

PERKINS + WILL
CHICAGO, ILLINOIS

ARCHITECT NOTE:
ALL NOTES REQUESTING VERIFICATION,
CONFIRMATION, OR INFORMATION THAT ARE
NOT ANSWERED ARE ASSUMED TO BE
CORRECT AS SHOWN ON THESE DRAWINGS.

STAMPS/
SUBMITTALS:

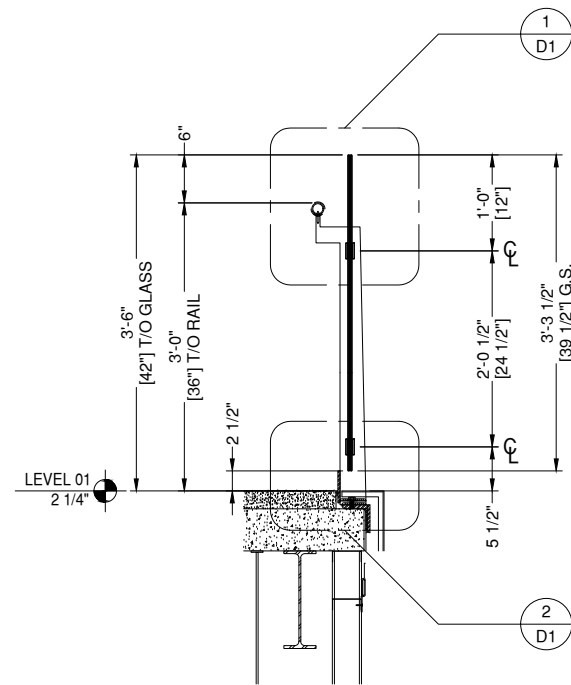
REVISION	DATE
0	04.30.19
1	05.31.19
2	06.11.19
-	-
-	-

PROJECT NUMBER:
18-303

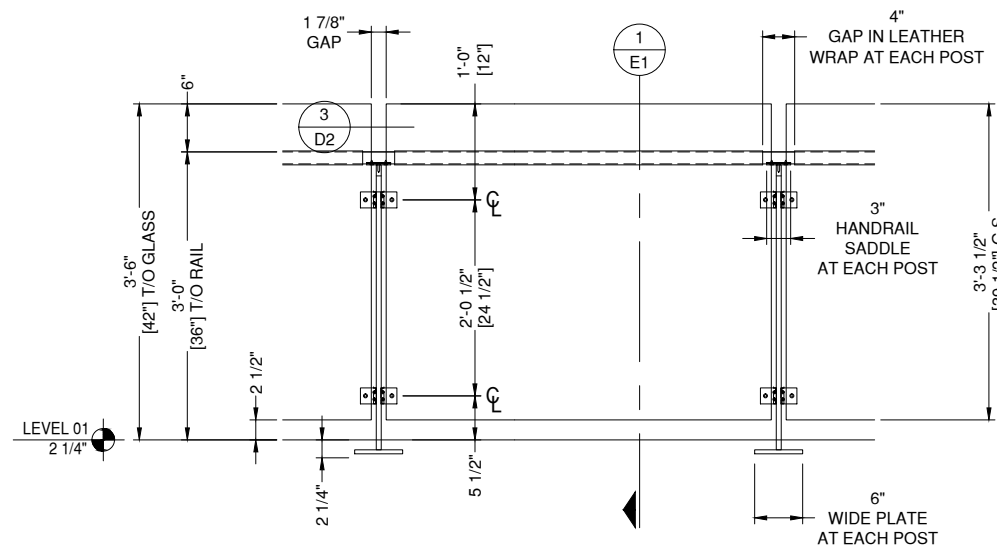
PROJECT NAME:
**STARBUCKS
LEVEL 1 ROTUNDA**

SHEET DESCRIPTION:
PLAN VIEW

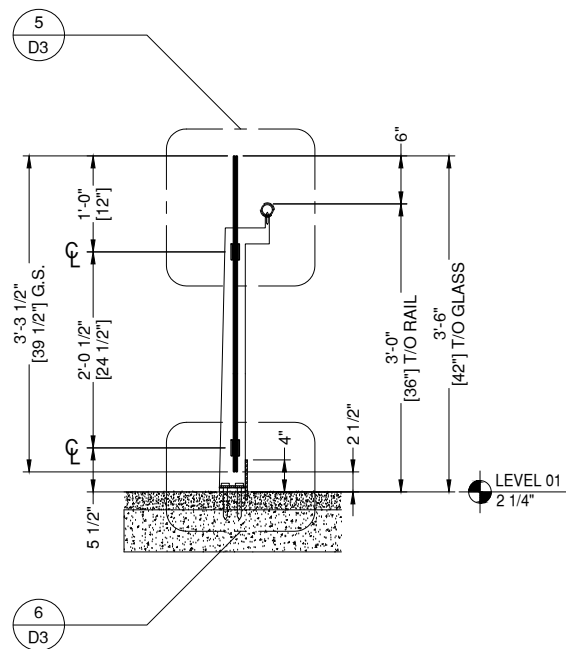
SHEET:
P2



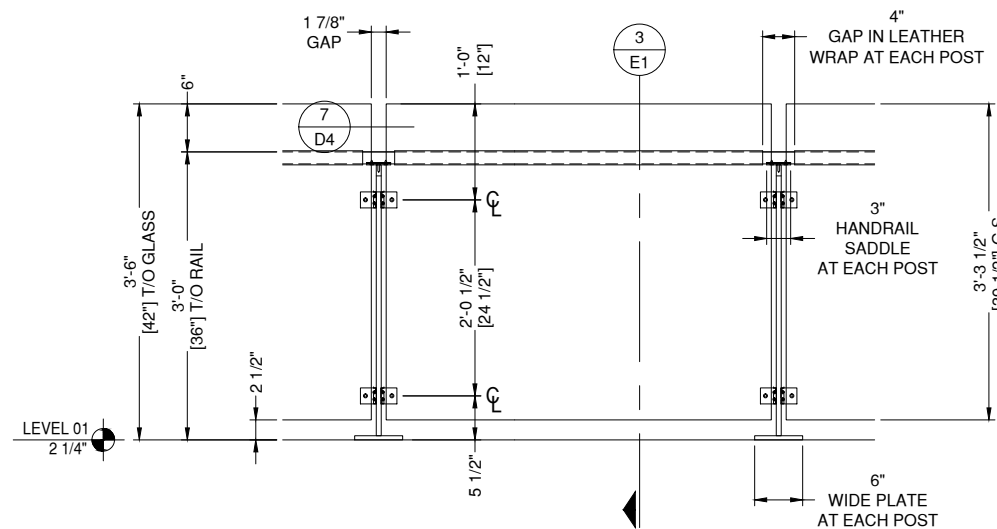
1 SECTION AT ROTUNDA ARCH. REF. 1/A40-31
E1 DRAWING SCALE
 24x36: 1" = 1'-0"
 11x17: 1/2" = 1'-0"



2 ELEVATION AT ROTUNDA ARCH. REF. 4/A40-33
E1 DRAWING SCALE
 24x36: 1" = 1'-0"
 11x17: 1/2" = 1'-0"



3 SECTION AT FLOOR MOUNT ARCH. REF. 1/A40-30
E1 DRAWING SCALE
 24x36: 1" = 1'-0"
 11x17: 1/2" = 1'-0"



4 ELEVATION AT FLOOR MOUNT
E1 DRAWING SCALE
 24x36: 1" = 1'-0"
 11x17: 1/2" = 1'-0"

NOTE:
 ALL DIMENSIONS TO BE FIELD
 VERIFIED PRIOR TO FABRICATION

MP drafting & design
 www.MPDRAFTING.com
 P: 248.522.7096
 F: 248.522.7030

ARCHITECT:

PERKINS + WILL
 CHICAGO, ILLINOIS

ARCHITECT NOTE:
 ALL NOTES REQUESTING VERIFICATION,
 CONFIRMATION, OR INFORMATION THAT ARE
 NOT ANSWERED ARE ASSUMED TO BE
 CORRECT AS SHOWN ON THESE DRAWINGS.

**STAMPS/
 SUBMITTALS:**

REVISION	DATE
0	04.30.19
1	05.31.19
2	06.11.19
-	-
-	-

PROJECT NUMBER:
18-303

PROJECT NAME:
**STARBUCKS
 LEVEL 1 ROTUNDA**

SHEET DESCRIPTION:
ELEVATIONS

SHEET:
E1